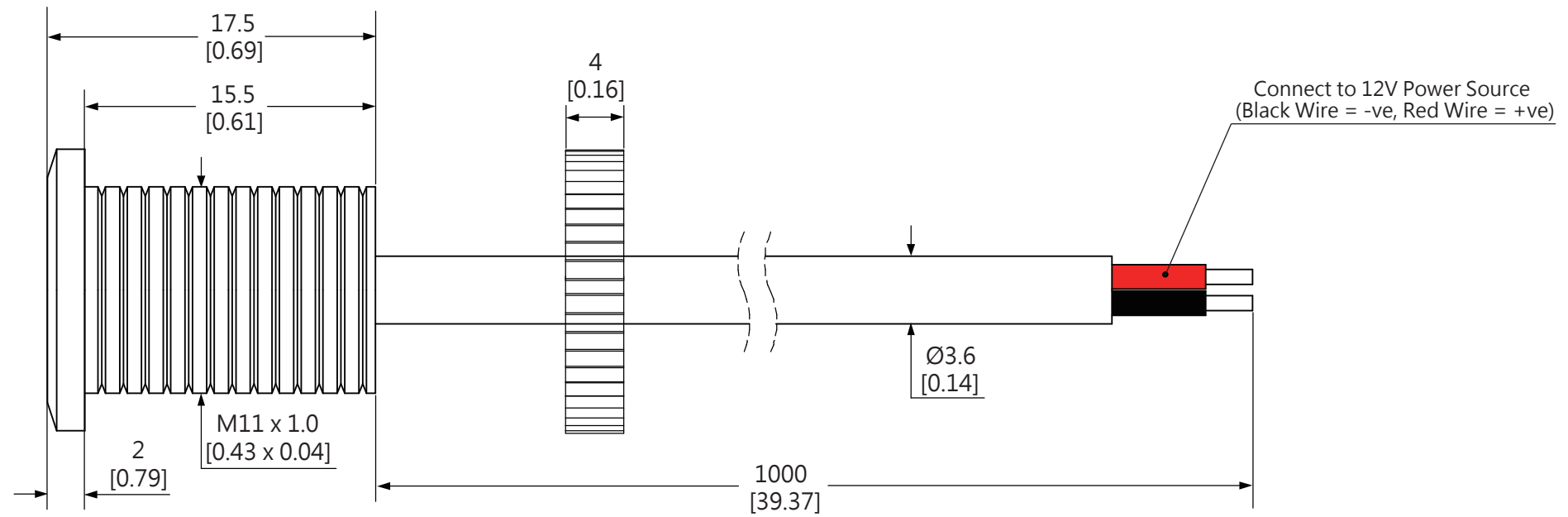
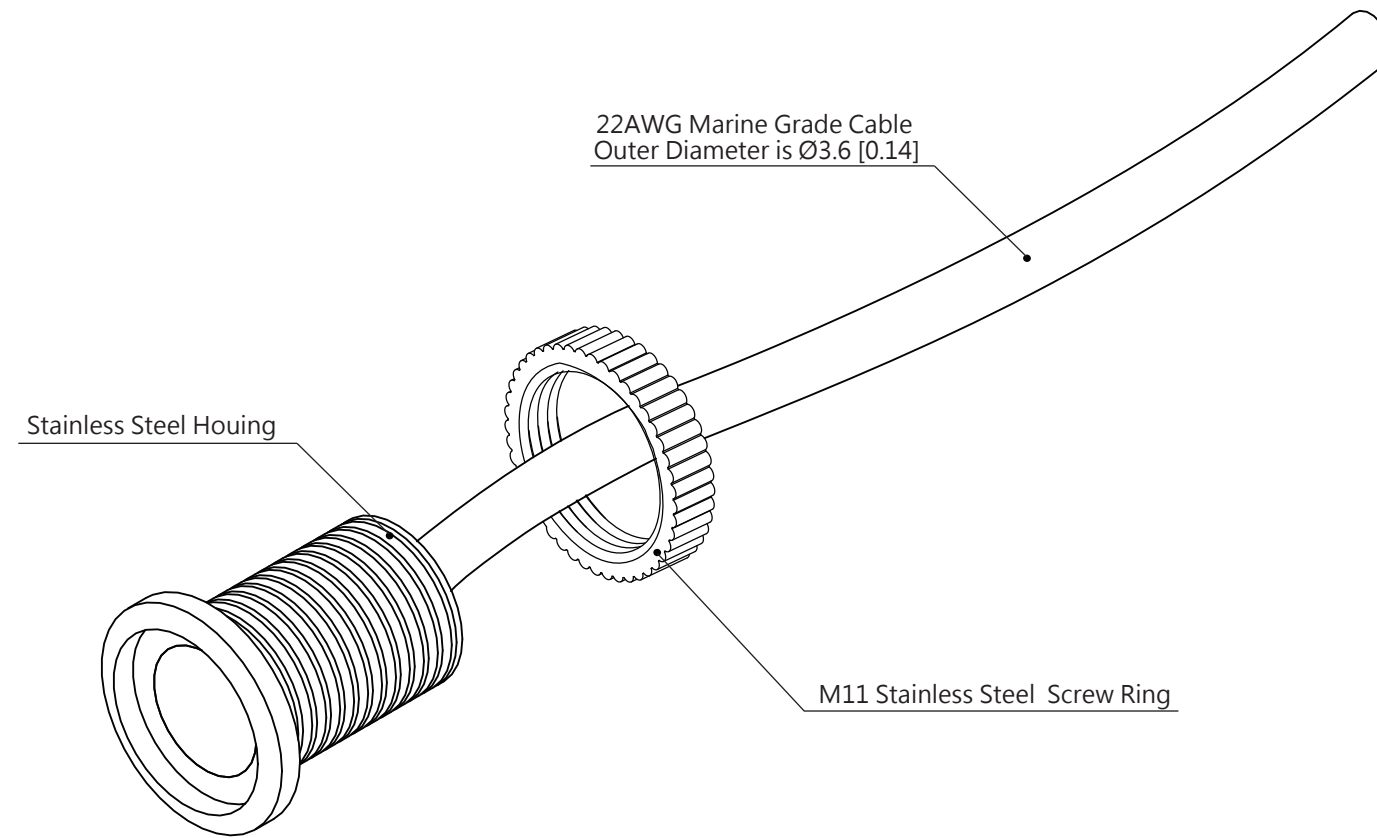


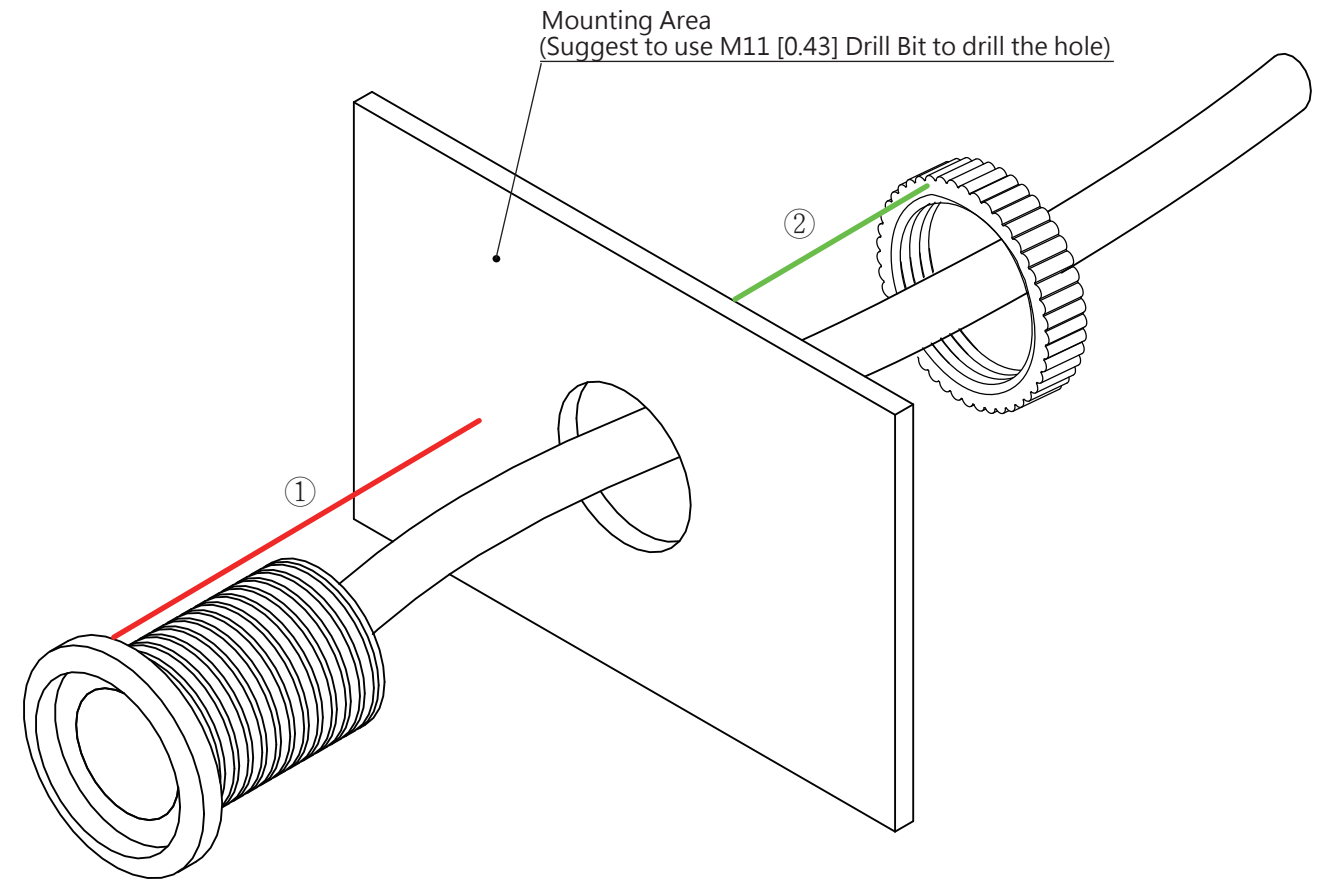
FRONT VIEW



SIDE VIEW



ISOMETRIC VIEW



INSTALLATION DIAGRAM

Technical Information (Per module):			
Operating Voltage: DC 12V			
Number of LEDs: 1 LED		11mm High Intensity Flush Mount LED Bolt	
Maximum Power Consumption: 80 mA (0.96W)		3W LED Stainless Steel Version (Without LEN)	
Heat Dissipation: Below 45 °C / 113 °F		DRAWING NUMBER:	VERSION:
Net Weight: 31.5g		OZ100-22	A
		PAGE:	1 of 1

All dimensions in millimeters [Inches]