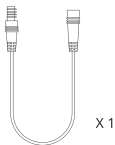


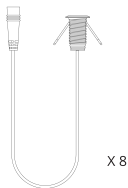
BASS BOAT LED DECK LIGHT KIT  
**INSTALL GUIDE**

## What's in the Box?



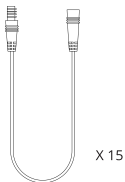
X 1

3 foot waterproof extension cable



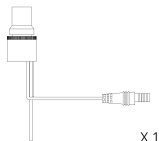
X 8

LED Bolt with waterproof ribbon plug end



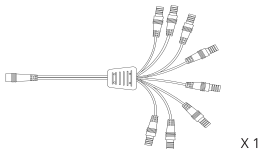
X 15

16 foot waterproof extension cable



X 1

Waterproof LED dimmer knob



X 1

1-to-8 octopus connector

### Waterproof LED Dimmer Knob Specifications

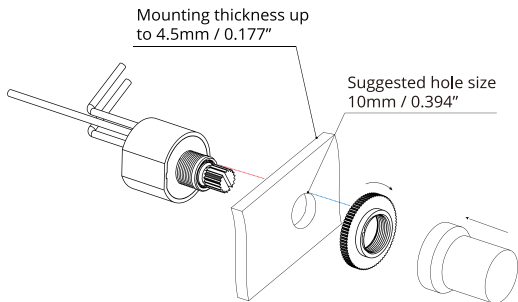
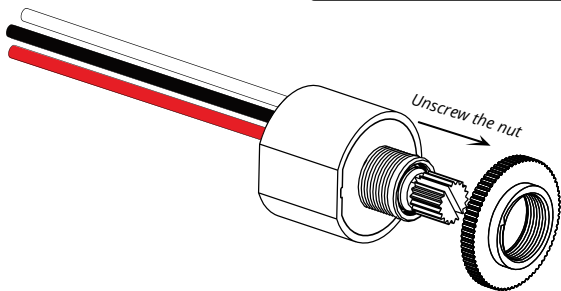
Input Voltage	12 VDC
Output Voltage	12 VDC
Current Rating	4.8A
IP Rating	IP67
Dimming Method	Pulse Width Modulation (PWM)
Max. Panel Mounting Thickness	4.5mm
Hole Size for Installation	10mm

### LED Bolt Specifications

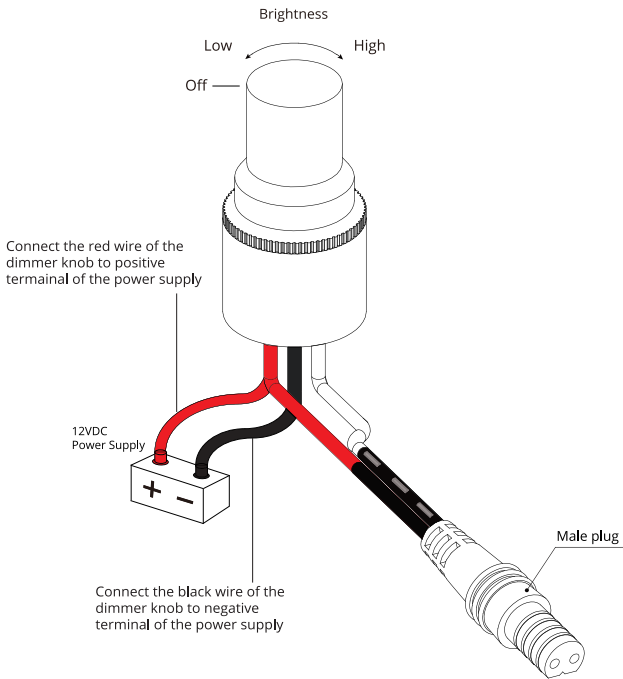
Input Voltage	12 VDC
Wattage	3W
IP Rating	IP68 Fully Waterproof / Submersible
Material	Aluminum

LED Color	Lumen	Current @ 12VDC	CCT / Wavelength
Cool White	76 lm	62 mA	9000K +
Red	31 lm	82 mA	625 nm
Green	79 lm	45 mA	525 nm
Blue	12 lm	56 mA	470 nm
Amber	20 lm	70 mA	595 nm

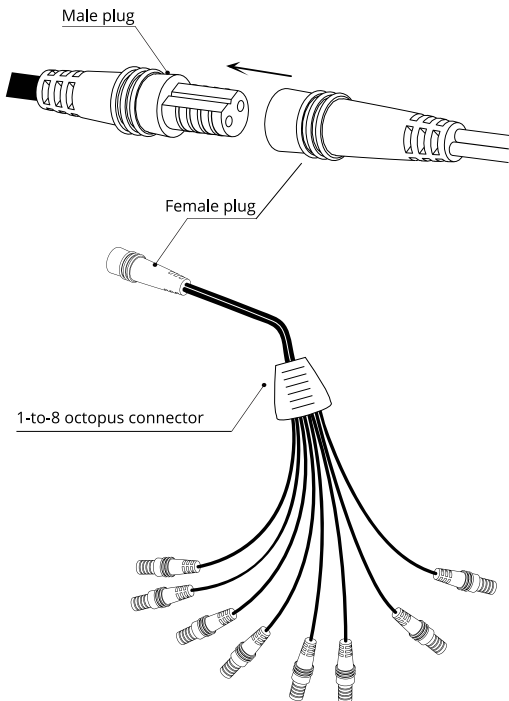
## Dimmer Knob Installation



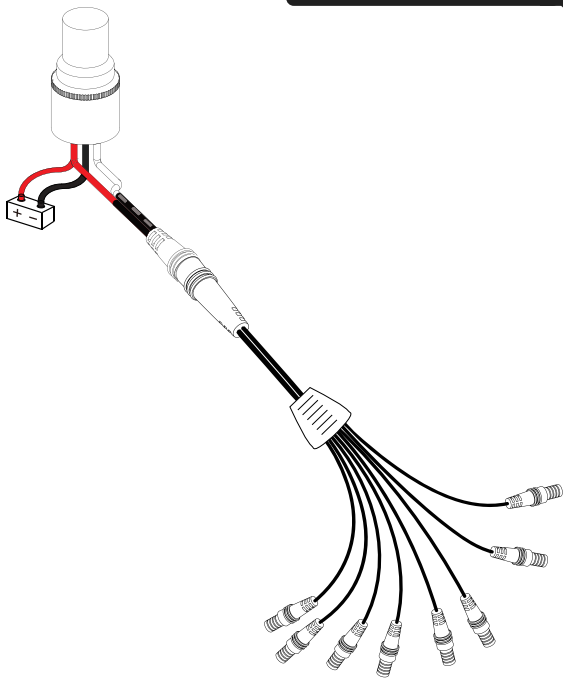
## Dimmer Knob Installation



## Dimmer Knob Installation

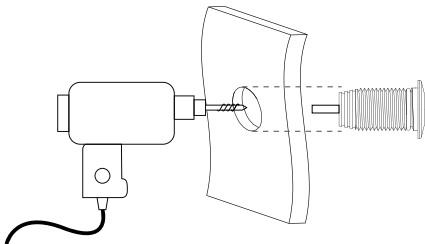




## Dimmer Knob Installation



## LED Bolt Installation

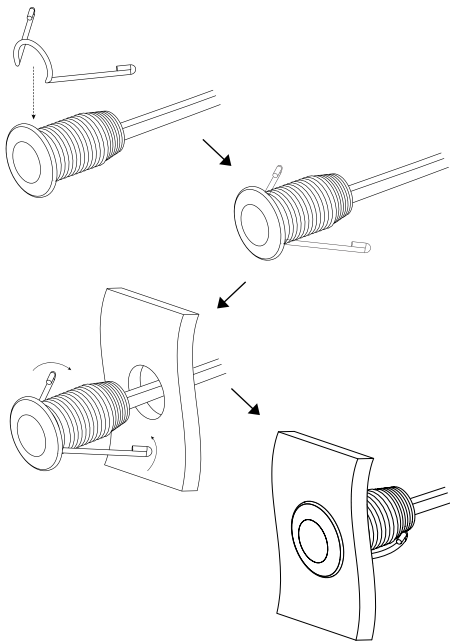
In order to install the LED bolt, a hole needs to be drilled on the mounting panel. You can either use the nuts or the snap-fit springs to mount the LED bolts.



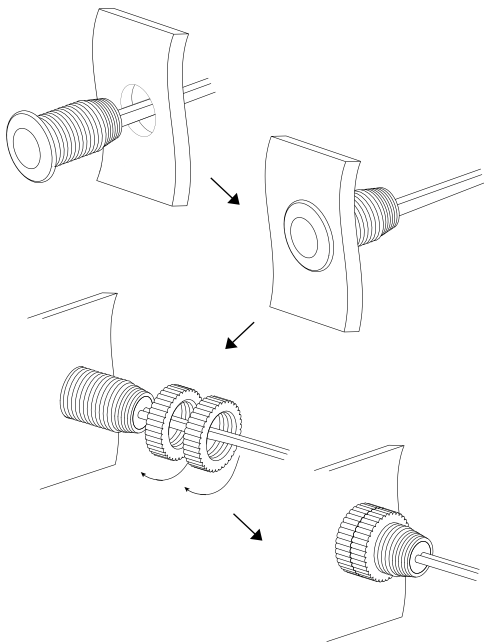
Mounting Options	Hole Size
 Nuts	11mm / 0.43"
 Snap-fit springs	12mm / 0.47"



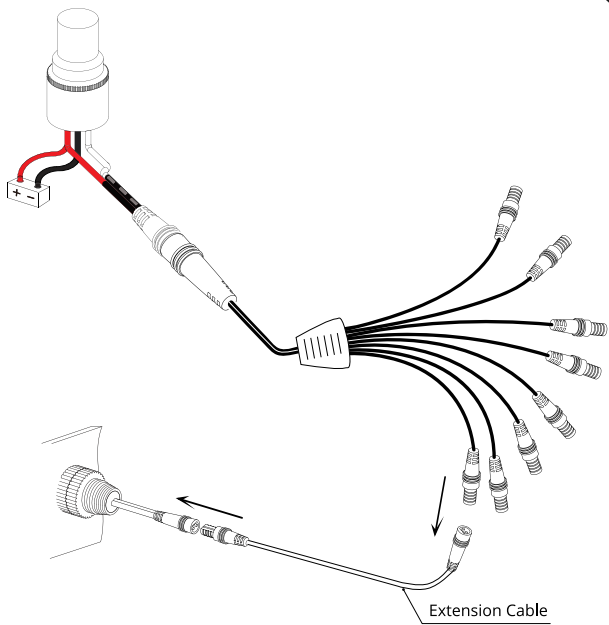
With the snap-fit springs



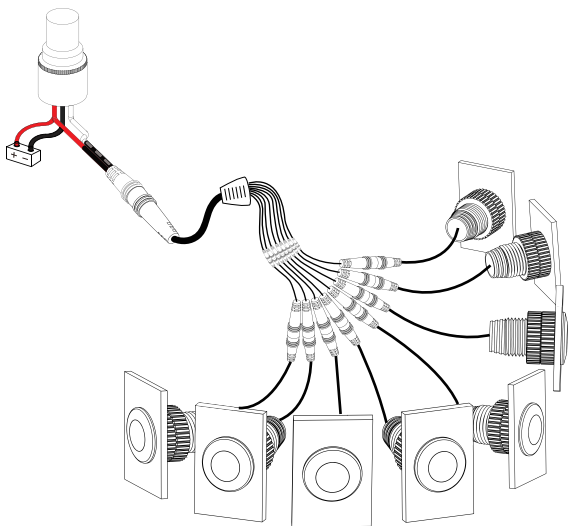
With the nuts



## Extension Cable Connection



## Wiring Diagram



**Need more LED bolts?  
You can buy extras here.**



**[cutt.ly/oznium\\_bassboat](https://cutt.ly/oznium_bassboat)**

**oznium.com**



800-245-8131 (US)  
Weekdays 9am to 5pm  
(Mountain Time)



[cs@oznium.com](mailto:cs@oznium.com)  
[www.oznium.com](http://www.oznium.com)