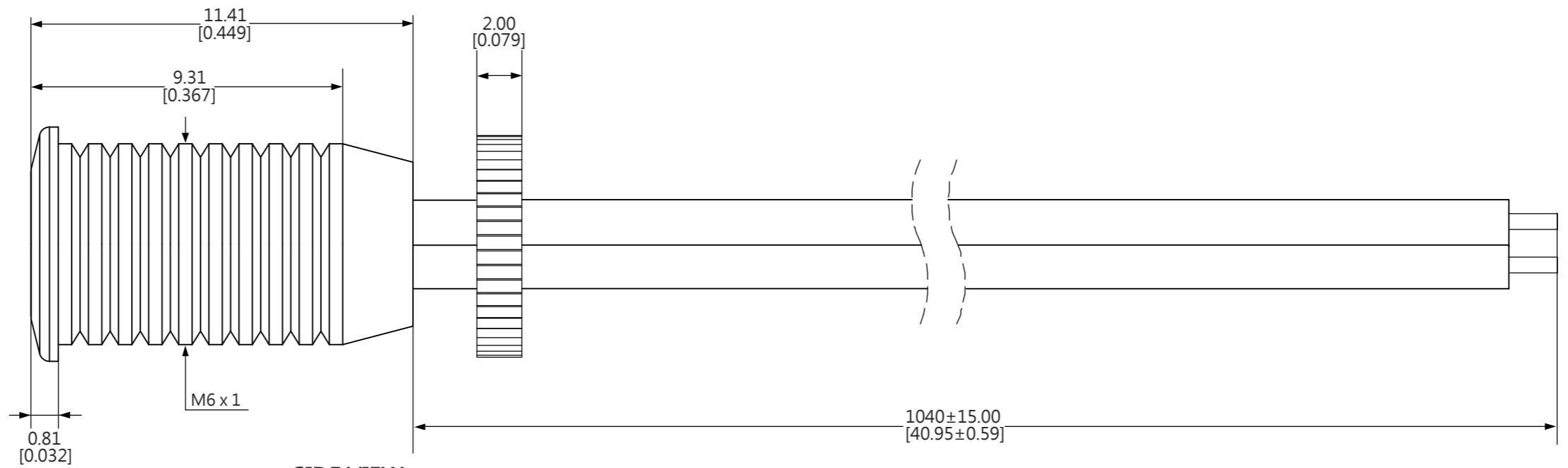
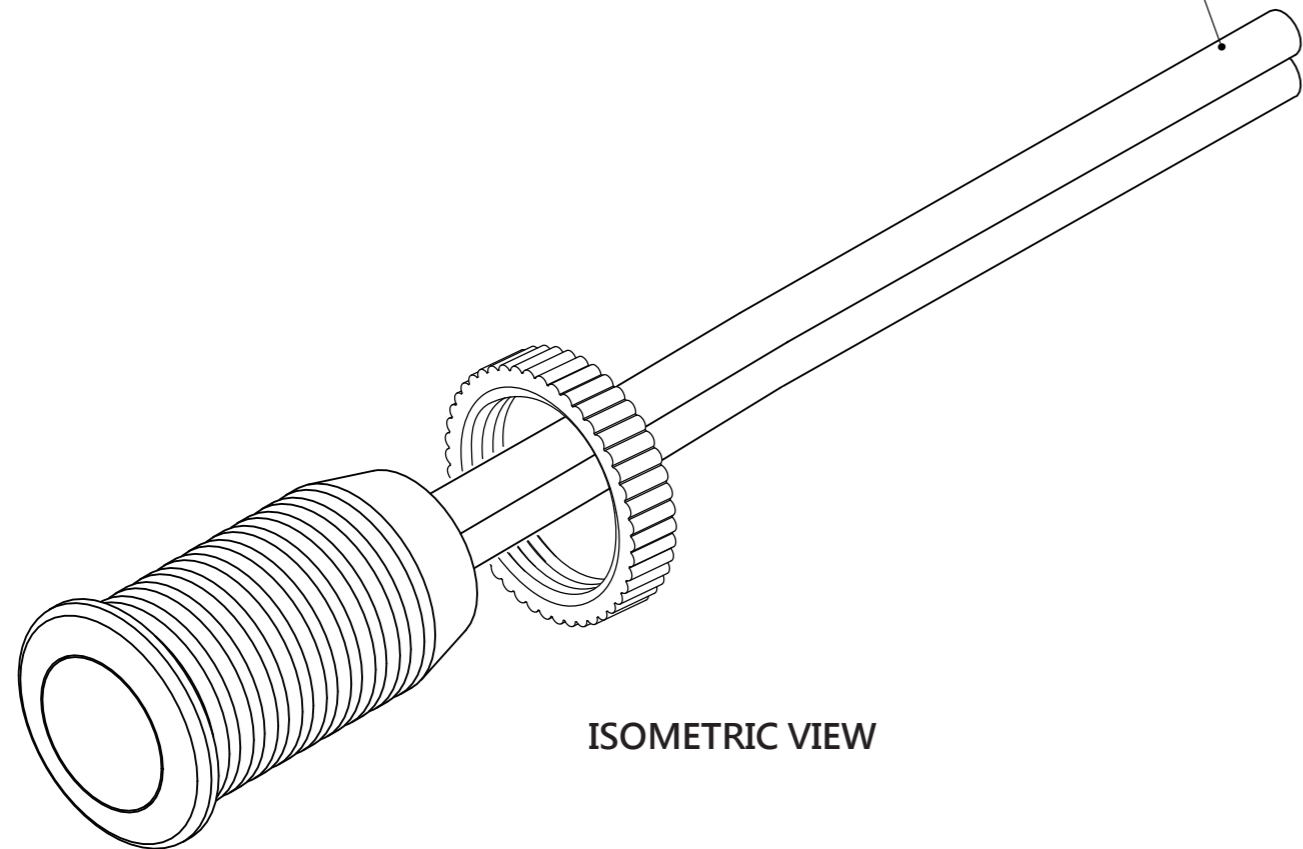


FRONT VIEW

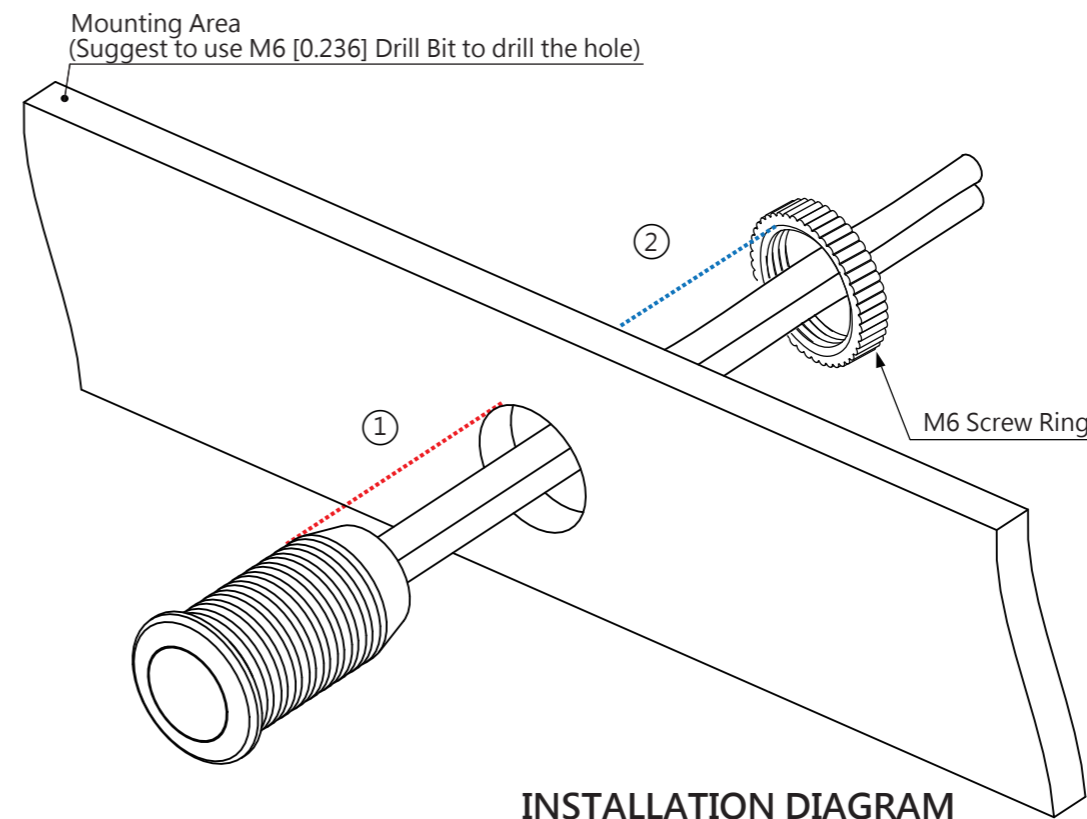


SIDE VIEW

Connect to 12V power source
(Black Wire = -ve, Red Wire = +ve)



ISOMETRIC VIEW



INSTALLATION DIAGRAM

Technical Information (Per module):	
Operating Voltage: DC 12V	
Number of LEDs: 1 LED	
Maximum Power Consumption: 18 mA (0.216W)	
Heat Dissipation: Below 45 °C/ 113 °F	
Net Weight: 7g	



PRODUCT NAME: 6mm High Intensity Flush Mount LED Bolt		
DRAWING NUMBER: OZ100-06	VERSION: B	PAGE: 1 of 1

All dimensions in millimeters [Inches]