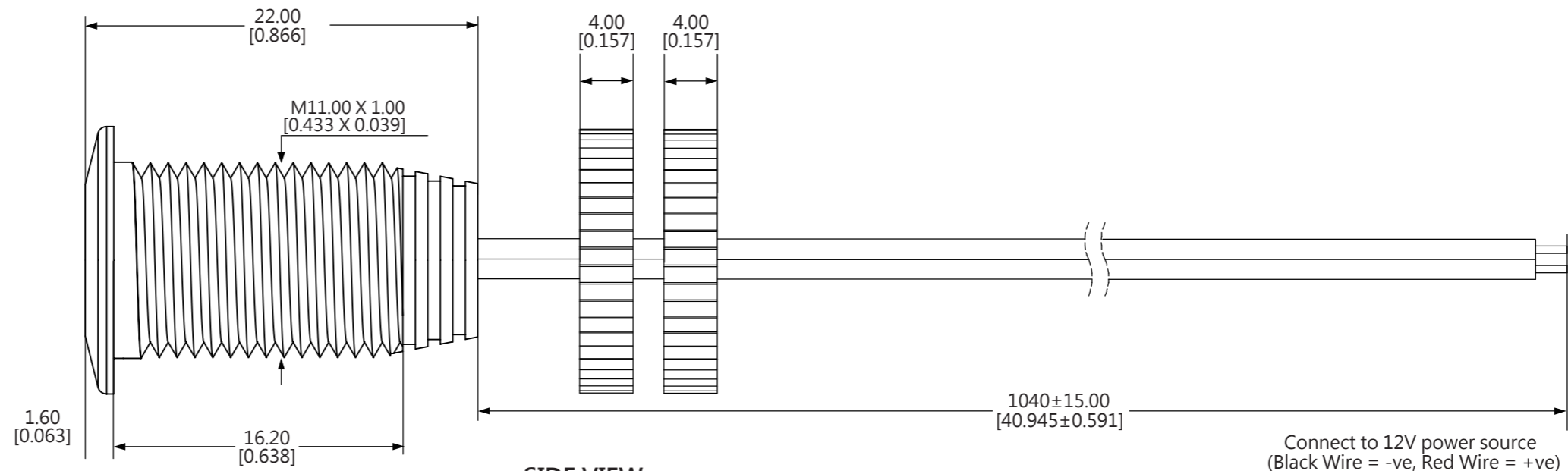
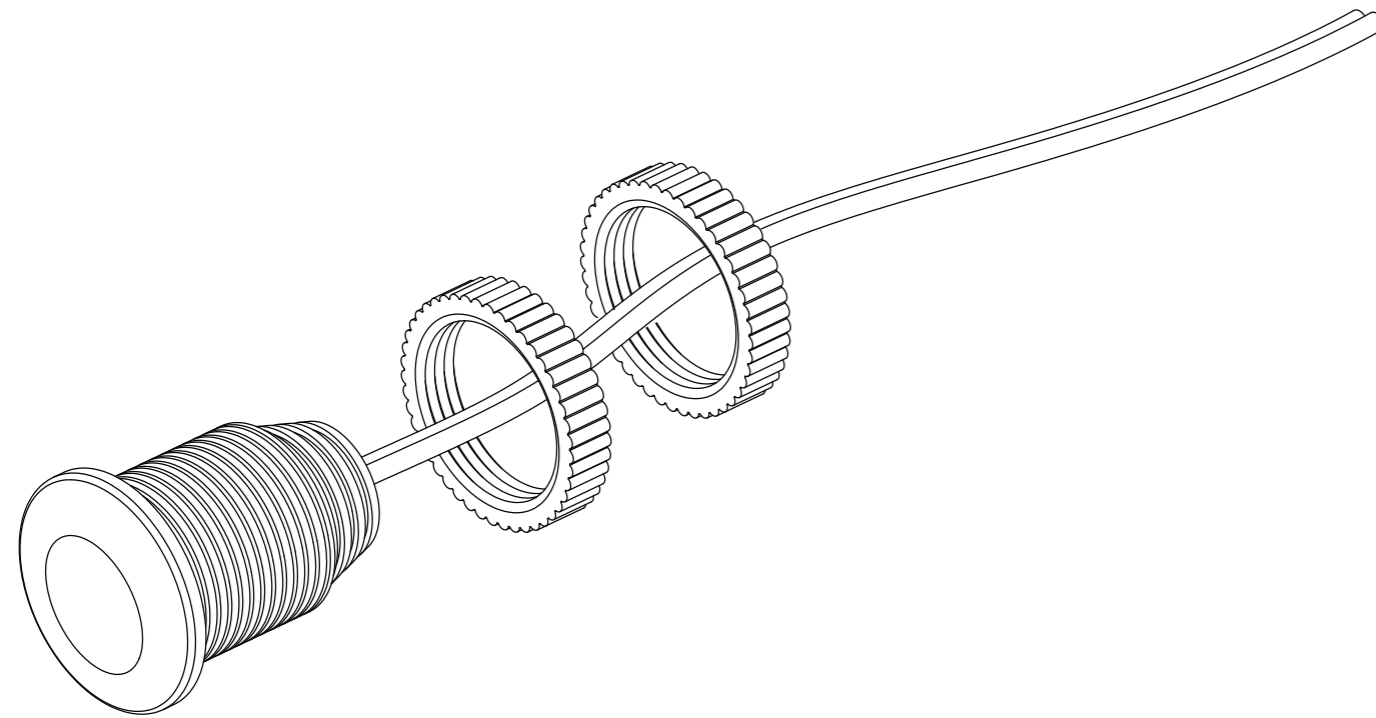


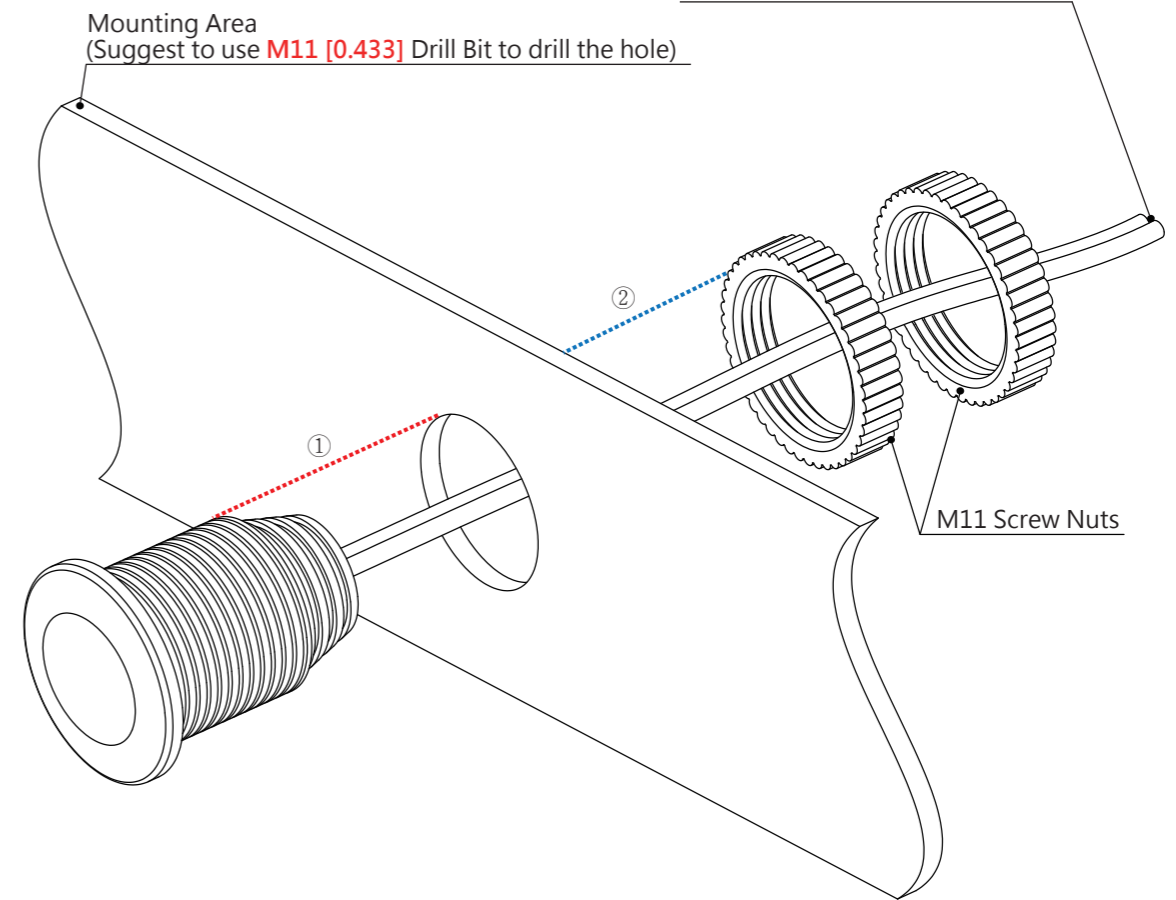
FRONT VIEW



SIDE VIEW



ISOMETRIC VIEW



INSTALLATION DIAGRAM

All dimensions in millimeters [Inches]

<b>Technical Information (Per module):</b>			
Operating Voltage: DC 12V			
Maximum Power Consumption: 37 mA (0.5W)		PRODUCT NAME: Flush Mount LED Bolt	
Heat Dissipation: Below 45 °C/ 113 °F		VERSION: 11mm/ No lens/ Aluminum Housing/ Screw Nuts	
Net Weight: 14g		PRODUCT NUMBER: 442	REVISION: C
		PAGE: 1 of 1	