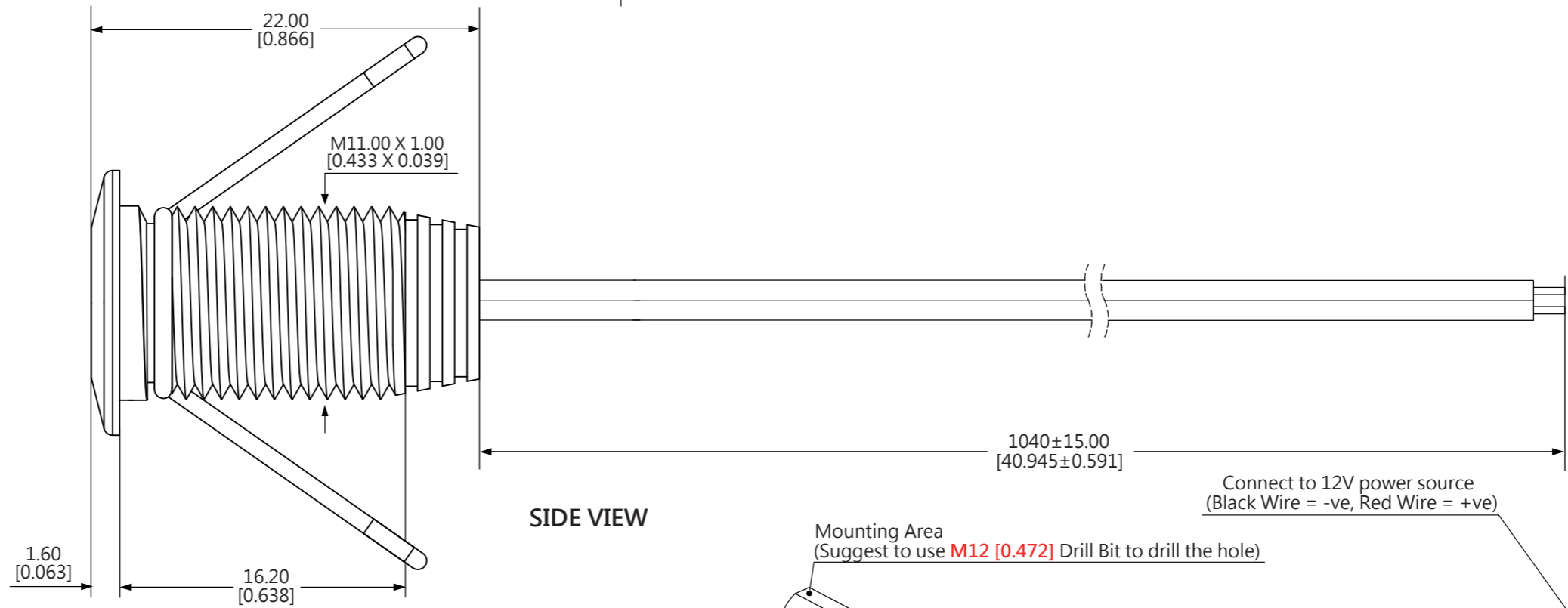


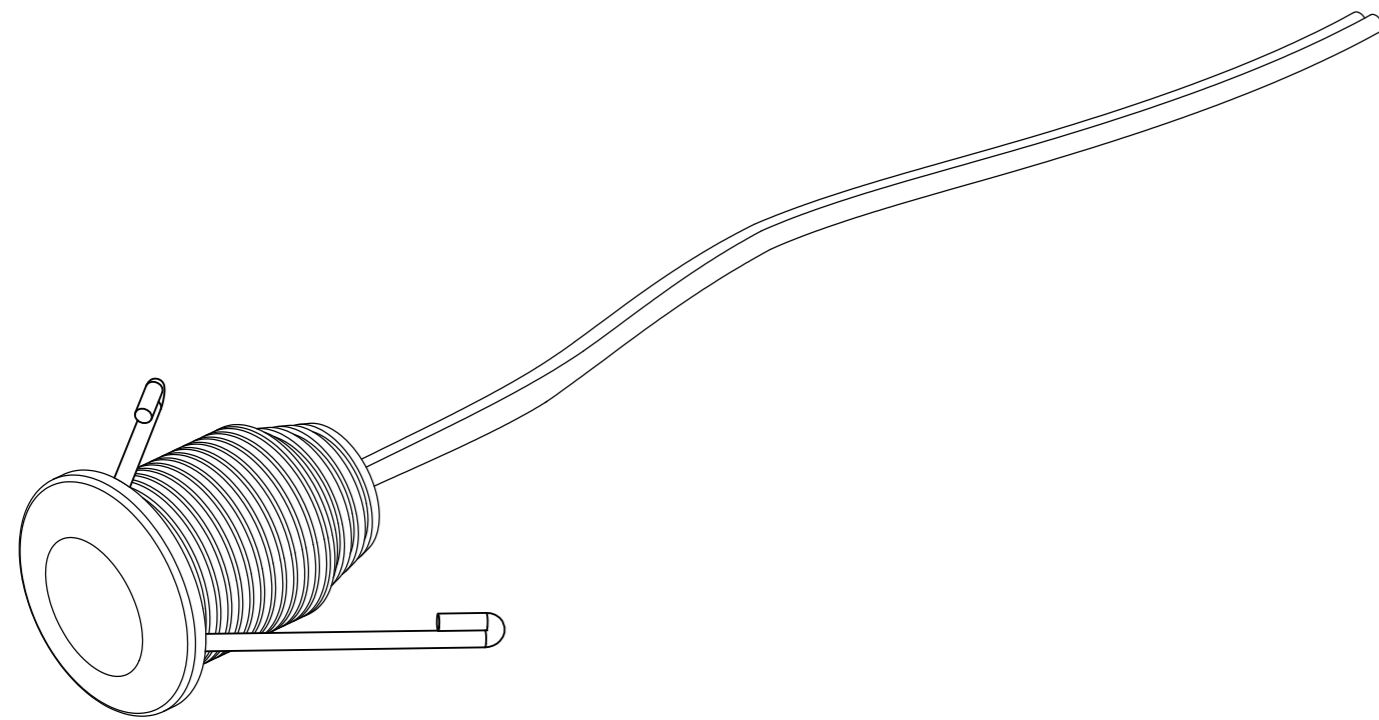
FRONT VIEW



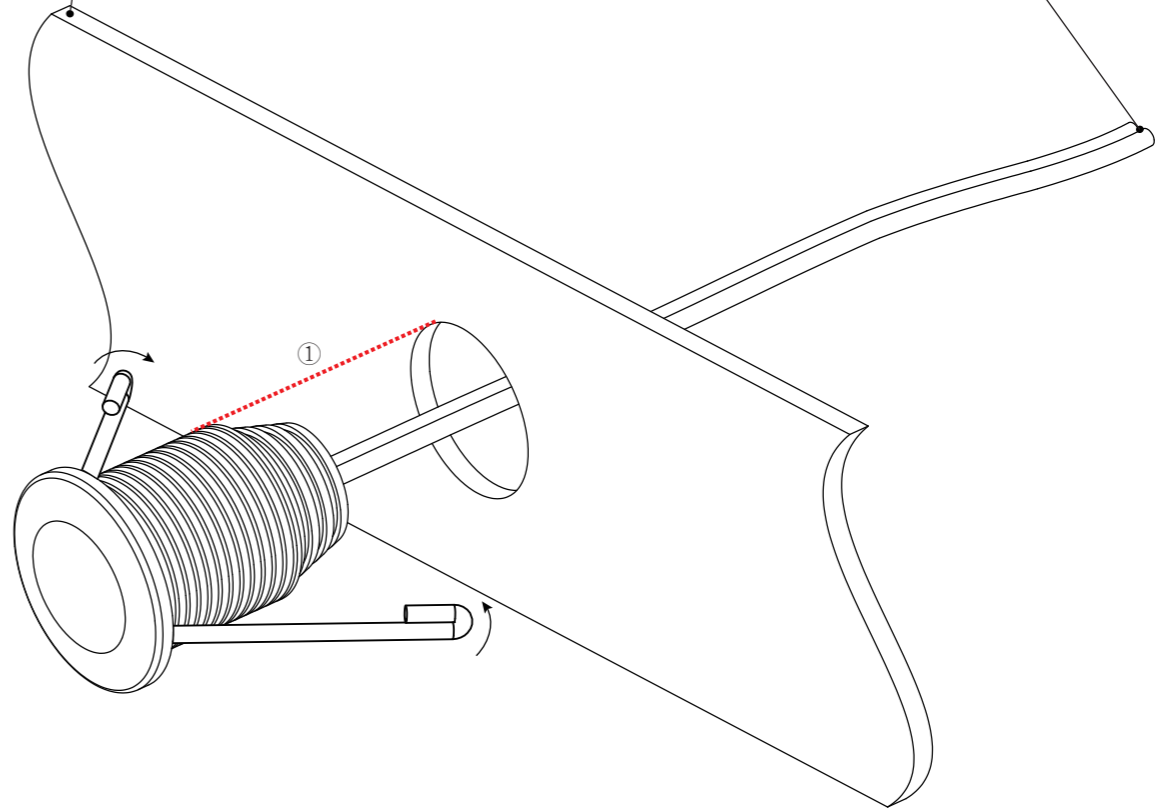
SIDE VIEW

Connect to 12V power source  
(Black Wire = -ve, Red Wire = +ve)

Mounting Area  
(Suggest to use **M12 [0.472]** Drill Bit to drill the hole)



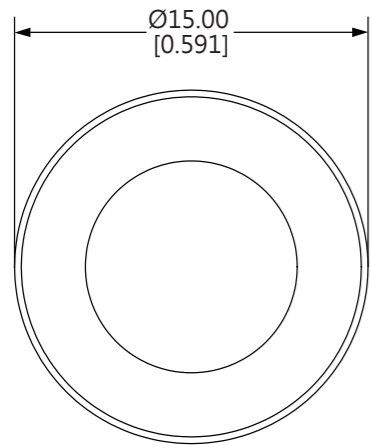
ISOMETRIC VIEW



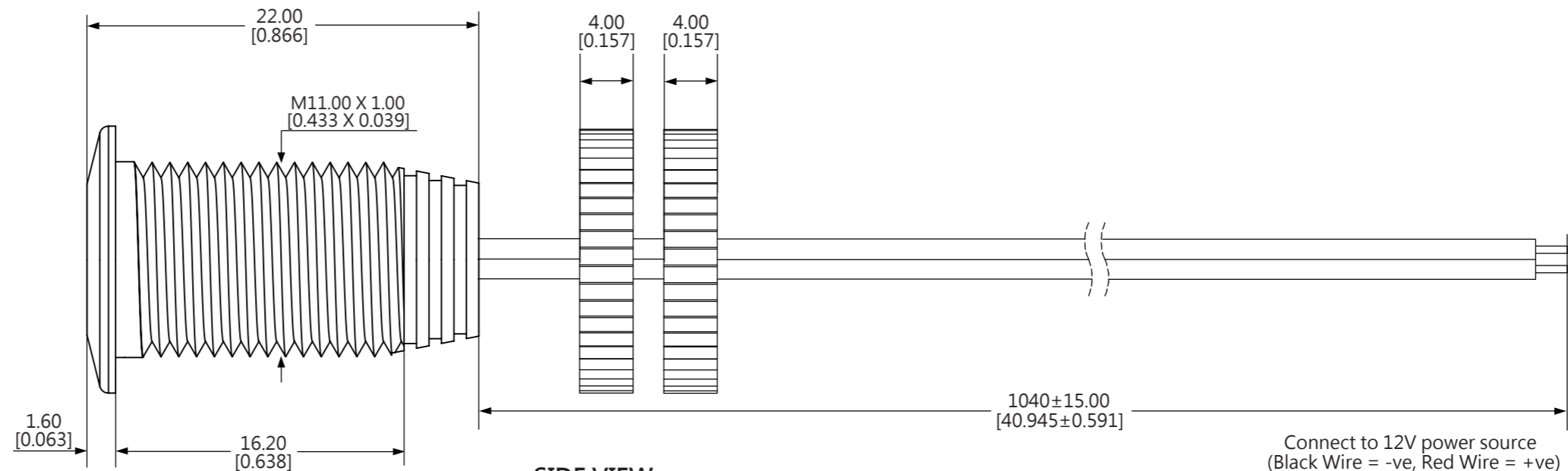
INSTALLATION DIAGRAM

All dimensions in millimeters [Inches]

<b>Technical Information (Per module):</b>			
Operating Voltage: DC 12V			
Maximum Power Consumption: 37 mA (0.5W)		PRODUCT NAME: Flush Mount LED Bolt	
Heat Dissipation: Below 45 °C/ 113 °F		VERSION: 11mm/ No lens/ Aluminum Housing/ Snap-Fit	
Net Weight: 15.4g		PRODUCT NUMBER: 442	REVISION: D
		PAGE: 1 of 3	



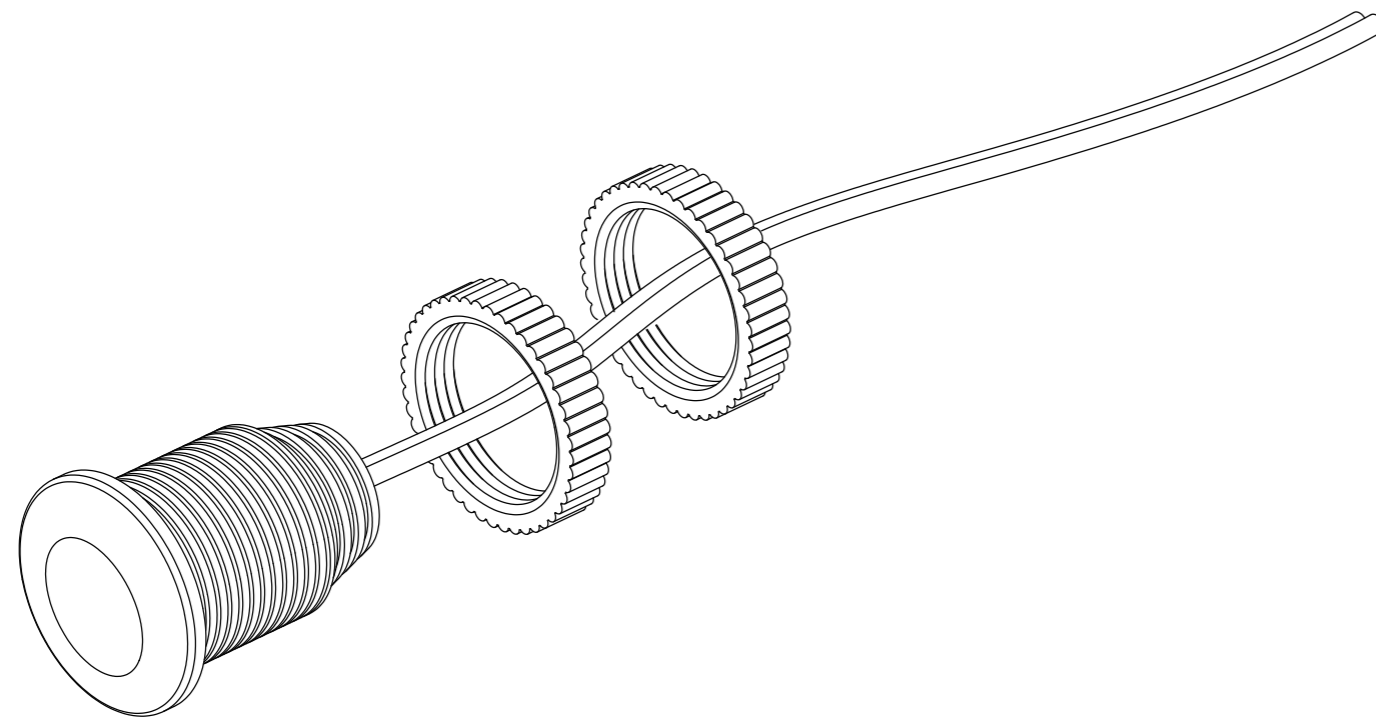
FRONT VIEW



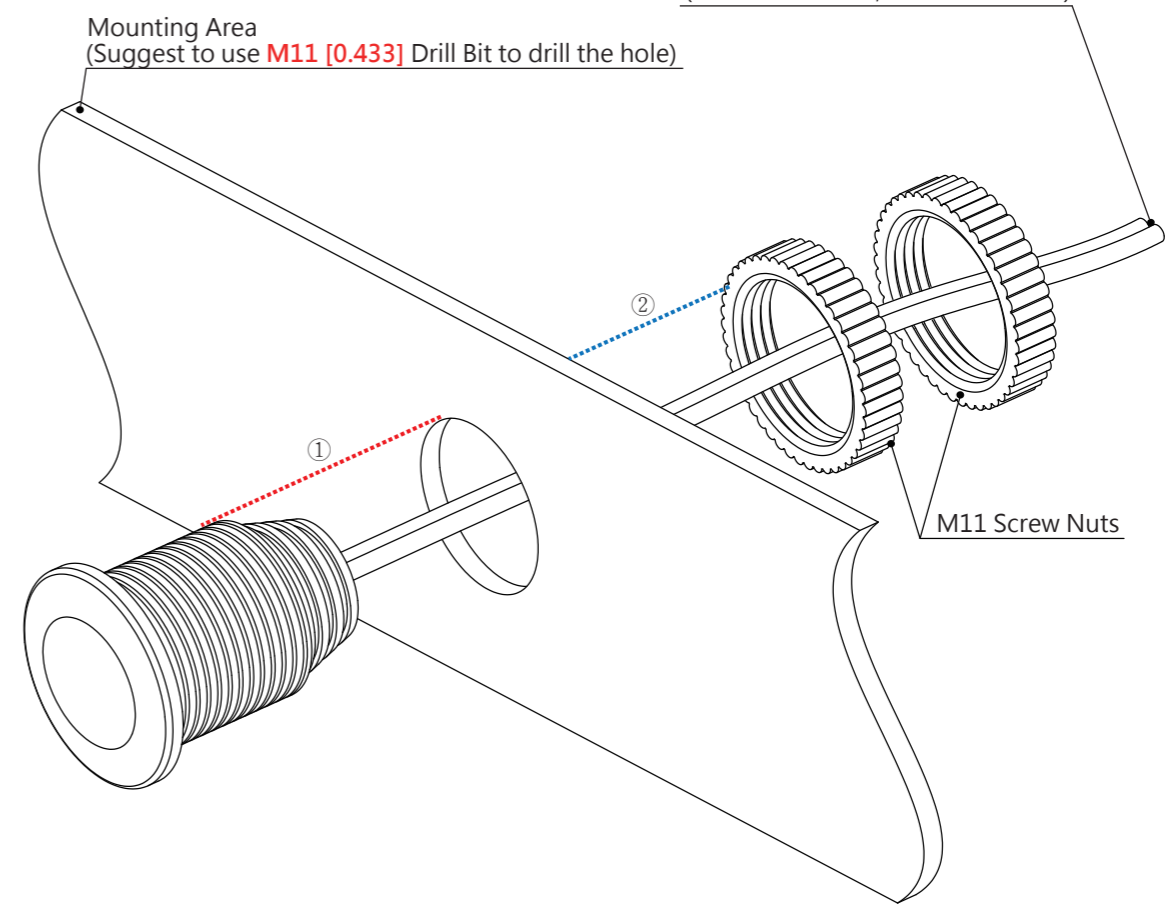
SIDE VIEW

Connect to 12V power source  
(Black Wire = -ve, Red Wire = +ve)

Mounting Area  
(Suggest to use **M11 [0.433]** Drill Bit to drill the hole)



ISOMETRIC VIEW

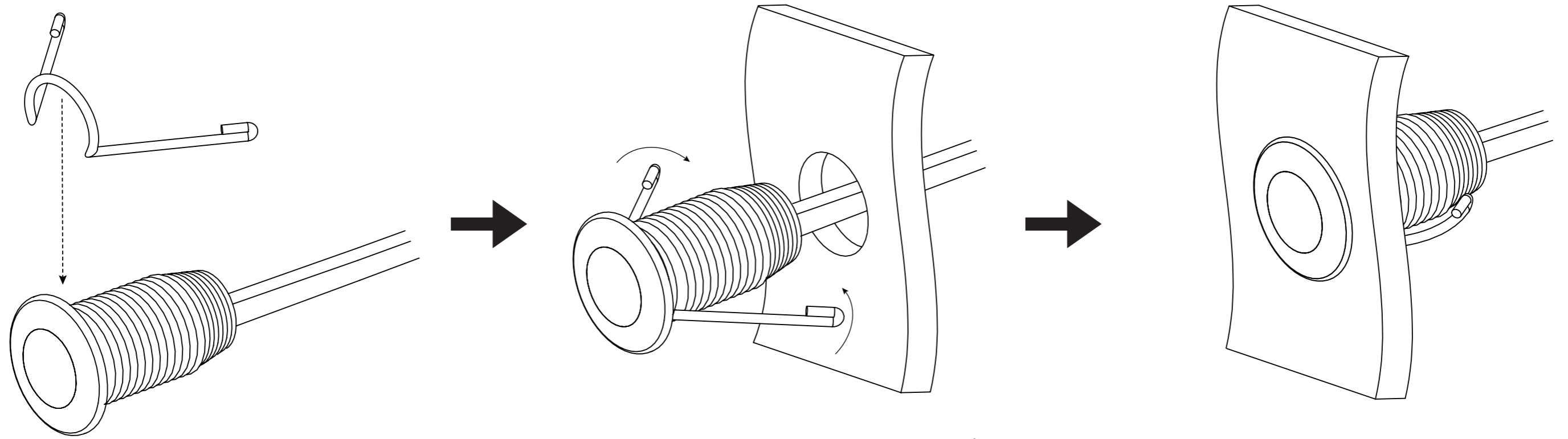


INSTALLATION DIAGRAM

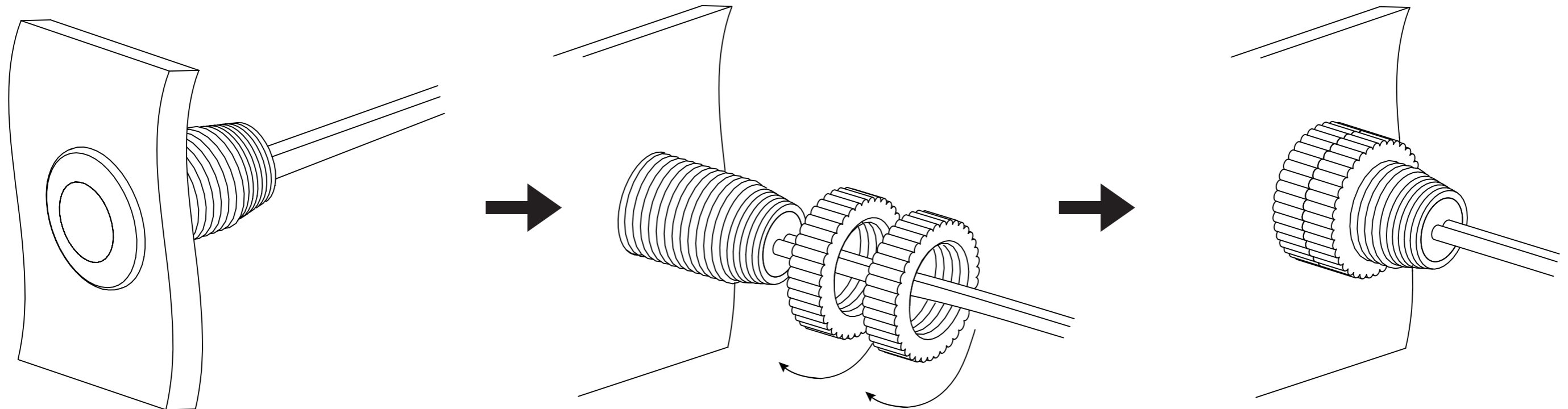
M11 Screw Nuts

All dimensions in millimeters [Inches]

<b>Technical Information (Per module):</b>			
Operating Voltage: DC 12V			
Maximum Power Consumption: 37 mA (0.5W)		PRODUCT NAME: Flush Mount LED Bolt	
Heat Dissipation: Below 45 °C/ 113 °F		VERSION: 11mm/ No lens/ Aluminum Housing/ Screw Nuts	
Net Weight: 15.4g		PRODUCT NUMBER: 442	REVISION: D
		PAGE: 2 of 3	



INSTALLATION METHOD 1 (Snap-Fit)



INSTALLATION METHOD 2 (Screw Nuts)



PRODUCT NAME: Flush Mount LED Bolt		
VERSION: 11mm/ No lens/ Aluminum Housing		
PRODUCT NUMBER: 442	REVISION: D	PAGE: 3 of 3