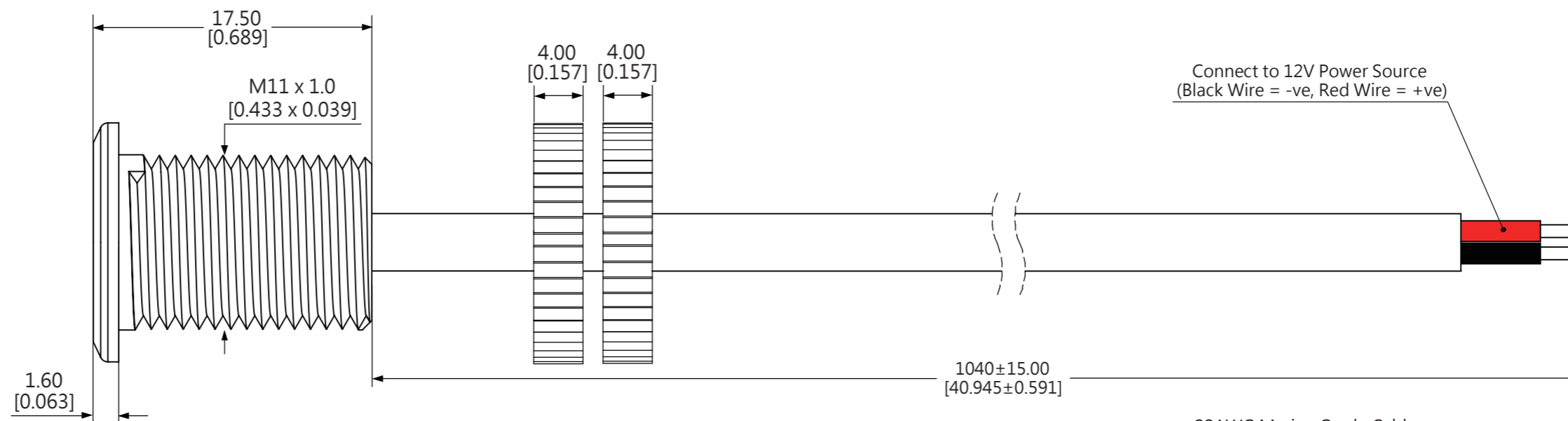
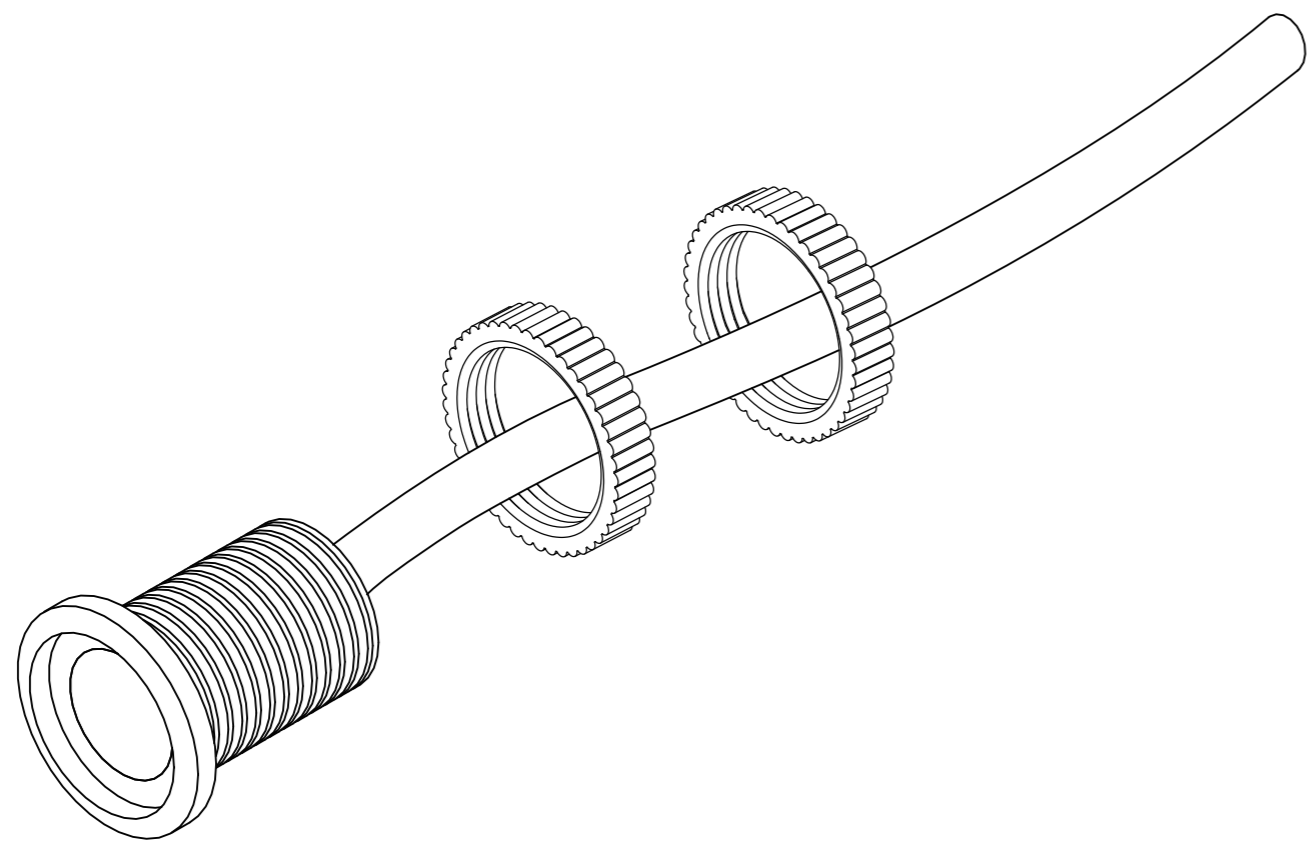


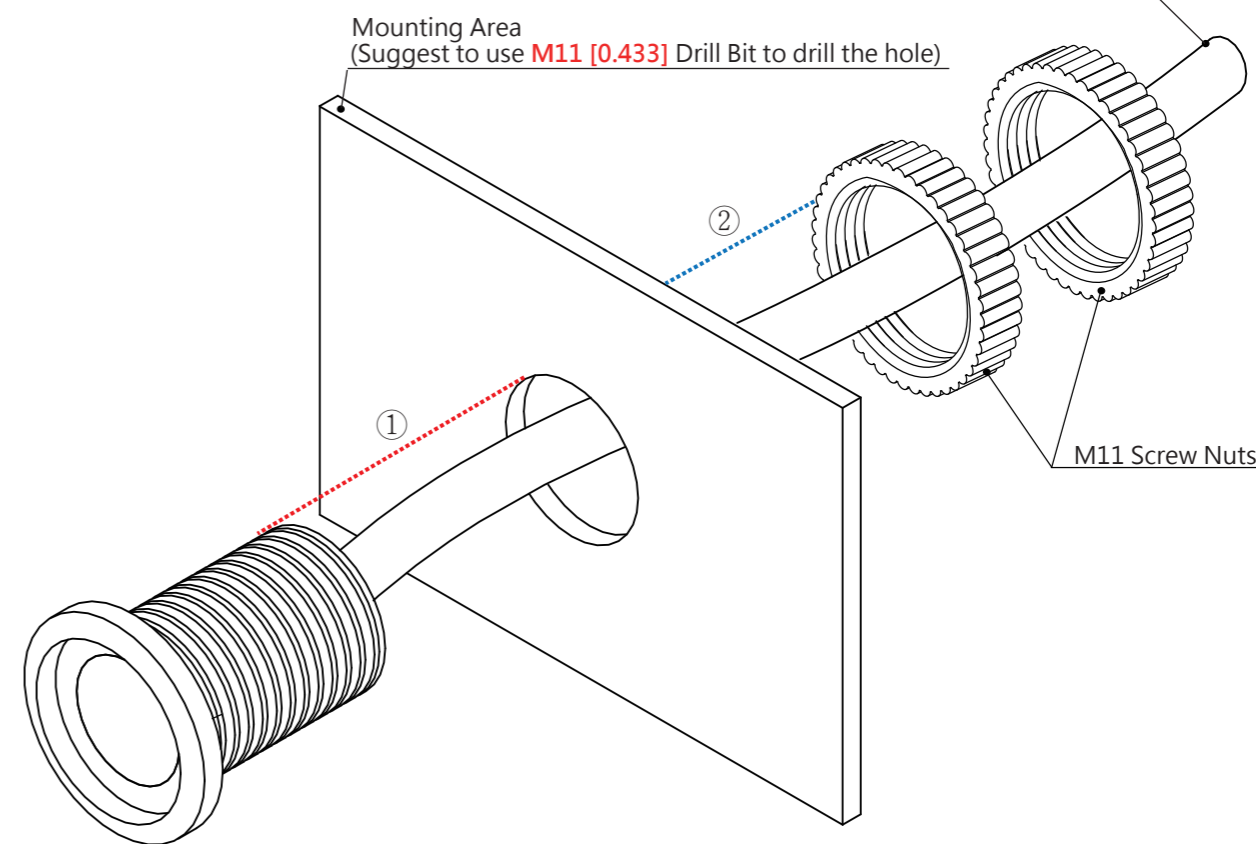
FRONT VIEW



SIDE VIEW



ISOMETRIC VIEW



INSTALLATION DIAGRAM

Technical Information (Per module):			
Operating Voltage: DC 12V			
Maximum Power Consumption: 70 mA (0.84W)		PRODUCT NAME:	
Heat Dissipation: Below 45 °C/ 113 °F		Flush Mount LED Bolt	
Net Weight: 31.5g		VERSION:	
		11mm/ No lens/ Stainless Steel Housing/ Screw Nuts	
		PRODUCT NUMBER:	REVISION:
		442	D
		PAGE:	
		1 of 1	

All dimensions in millimeters [Inches]