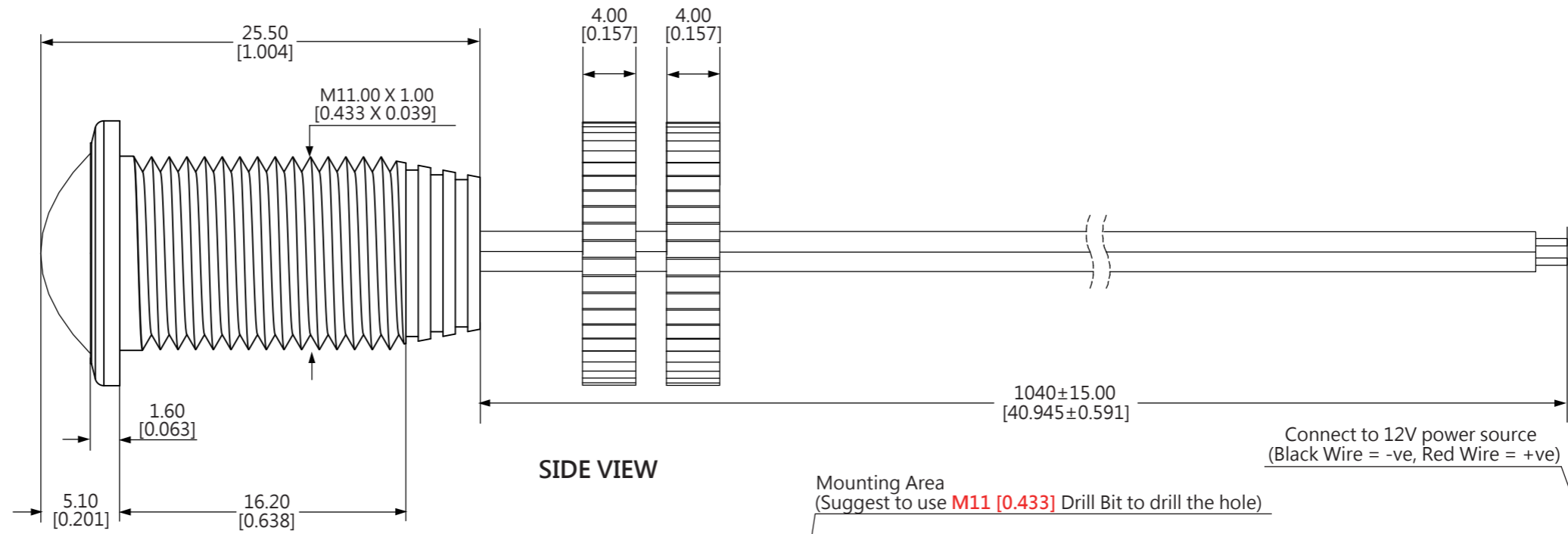


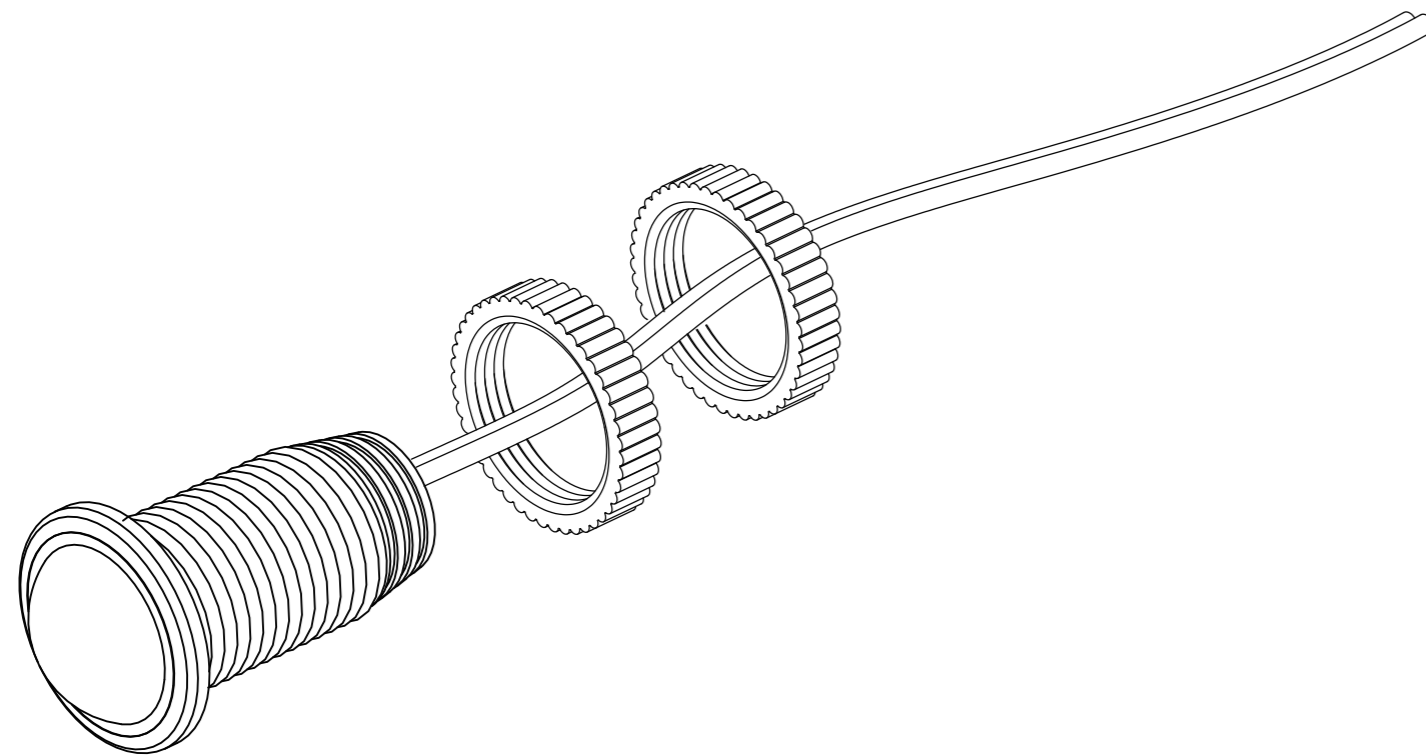
FRONT VIEW



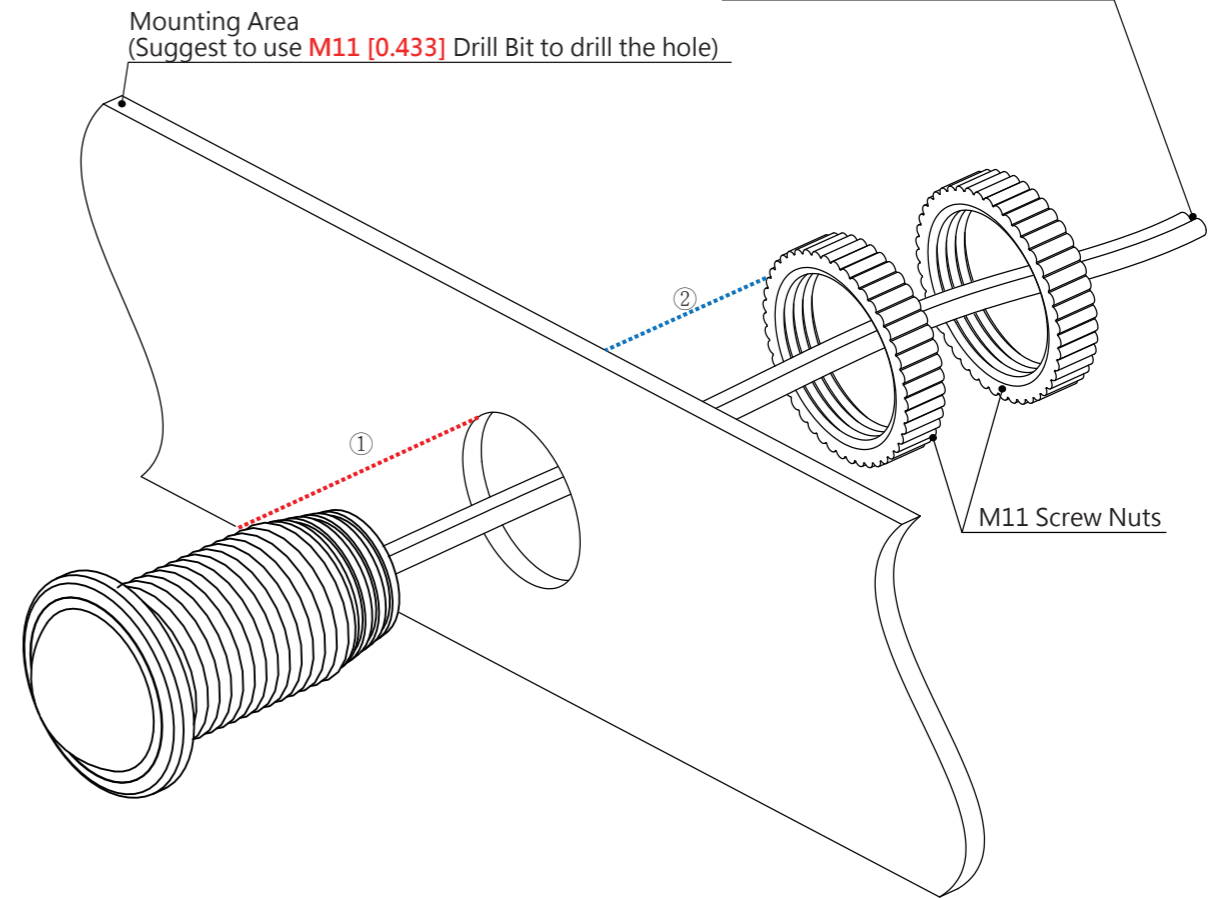
SIDE VIEW

Connect to 12V power source  
(Black Wire = -ve, Red Wire = +ve)

Mounting Area  
(Suggest to use **M11 [0.433]** Drill Bit to drill the hole)



ISOMETRIC VIEW



INSTALLATION DIAGRAM

All dimensions in millimeters [Inches]

|  |  |   |                |
|--|--|---|----------------|
| <b>Technical Information (Per module):</b> |  |   |                |
| Operating Voltage: DC 12V                  |  |   |                |
| Maximum Power Consumption: 37 mA (0.5W)    |  | PRODUCT NAME:<br>Flush Mount LED Bolt                     |                |
| Heat Dissipation: Below 45 °C/ 113 °F      |  | VERSION:<br>11mm/ With lens/ Aluminum Housing/ Screw Nuts |                |
| Net Weight: 18.5g                          |  | PRODUCT NUMBER:<br>442                                    | REVISION:<br>C |
|  |  | PAGE:<br>1 of 1   |                |