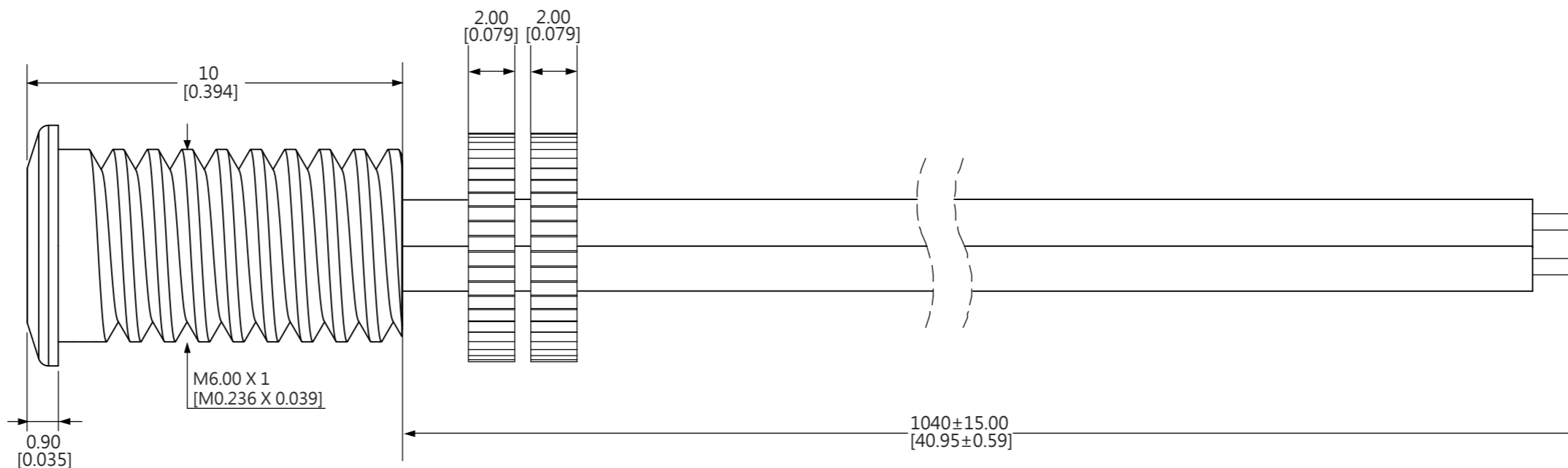
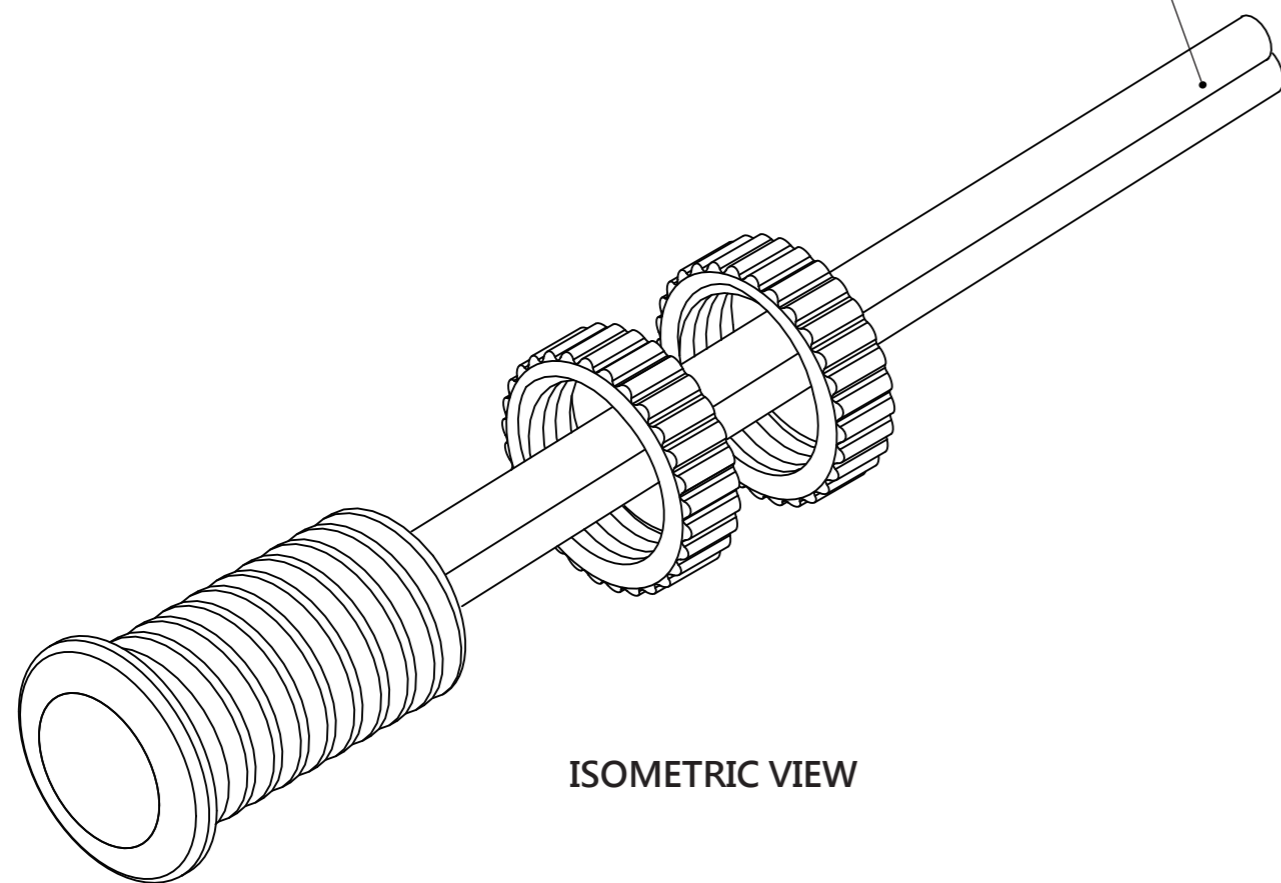


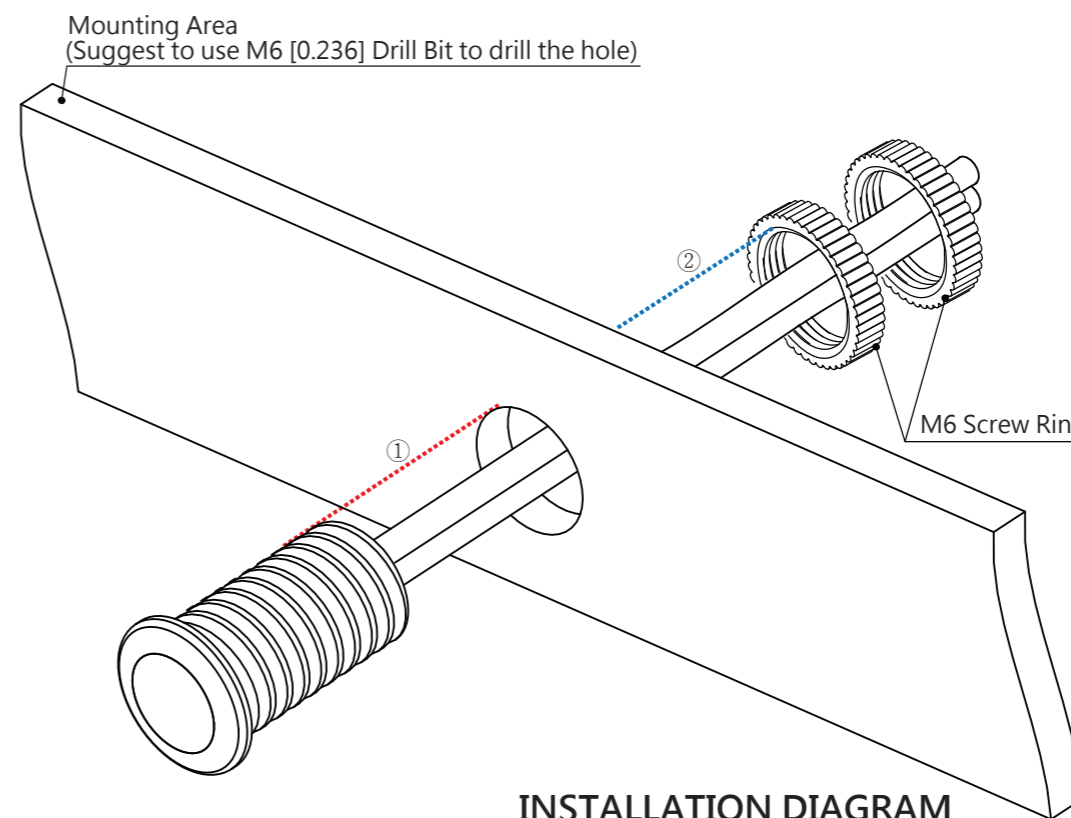
FRONT VIEW



SIDE VIEW



ISOMETRIC VIEW



INSTALLATION DIAGRAM

All dimensions in millimeters [Inches]

<b>Technical Information (Per module):</b>		
Operating Voltage: DC 12V		
Maximum Power Consumption: 20 mA (0.2W)		
Heat Dissipation: Below 45 °C/ 113 °F		
Net Weight: 7g		



PRODUCT NAME: Flush Mount LED Bolt		
VERSION: 6mm/ No lens/ Aluminum Housing		
PRODUCT NUMBER: 442	REVISION: E	PAGE: 1 of 1