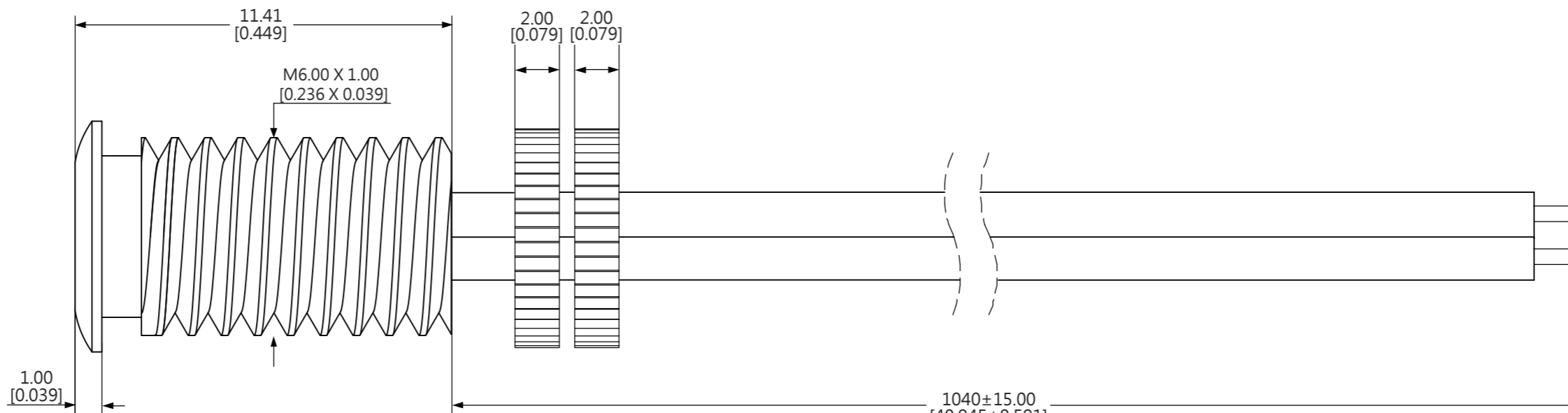
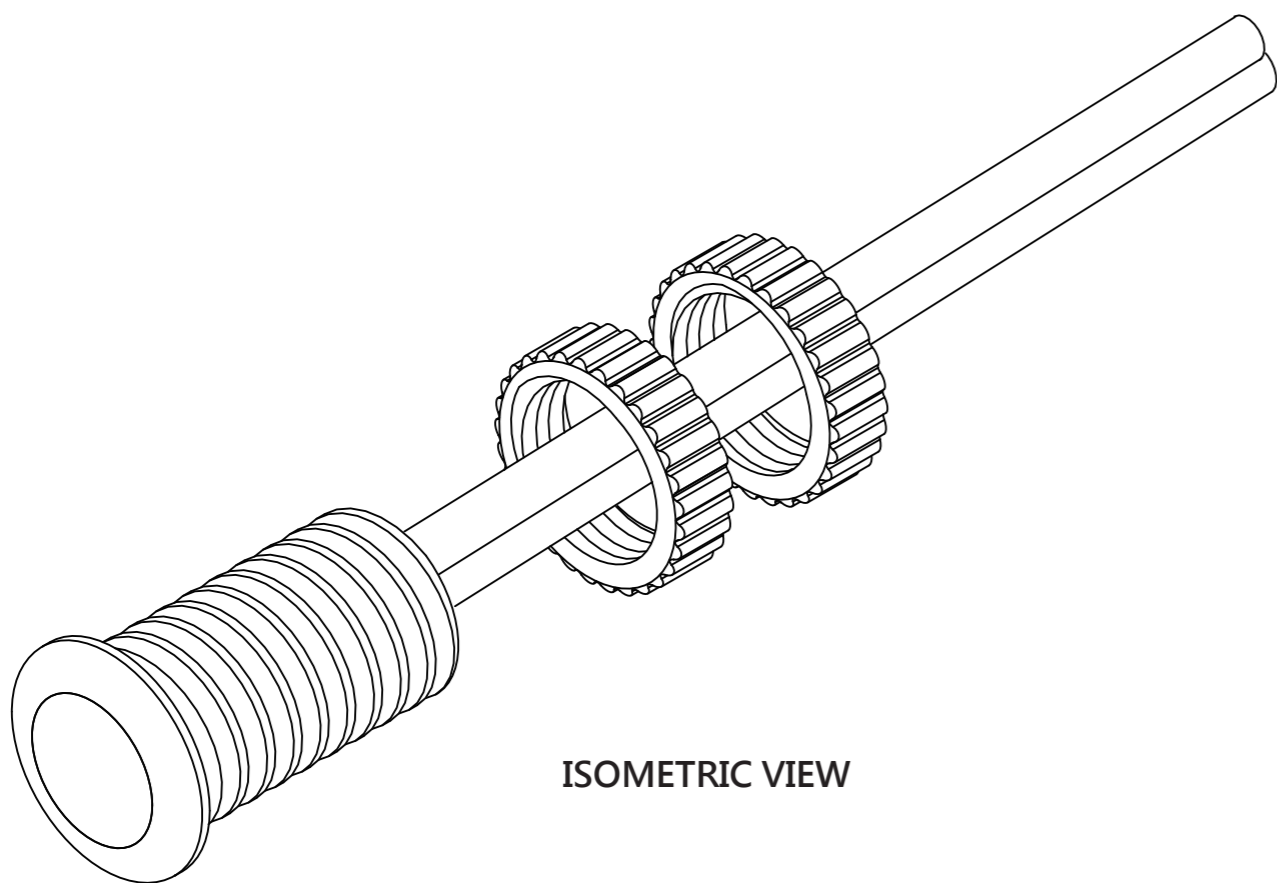


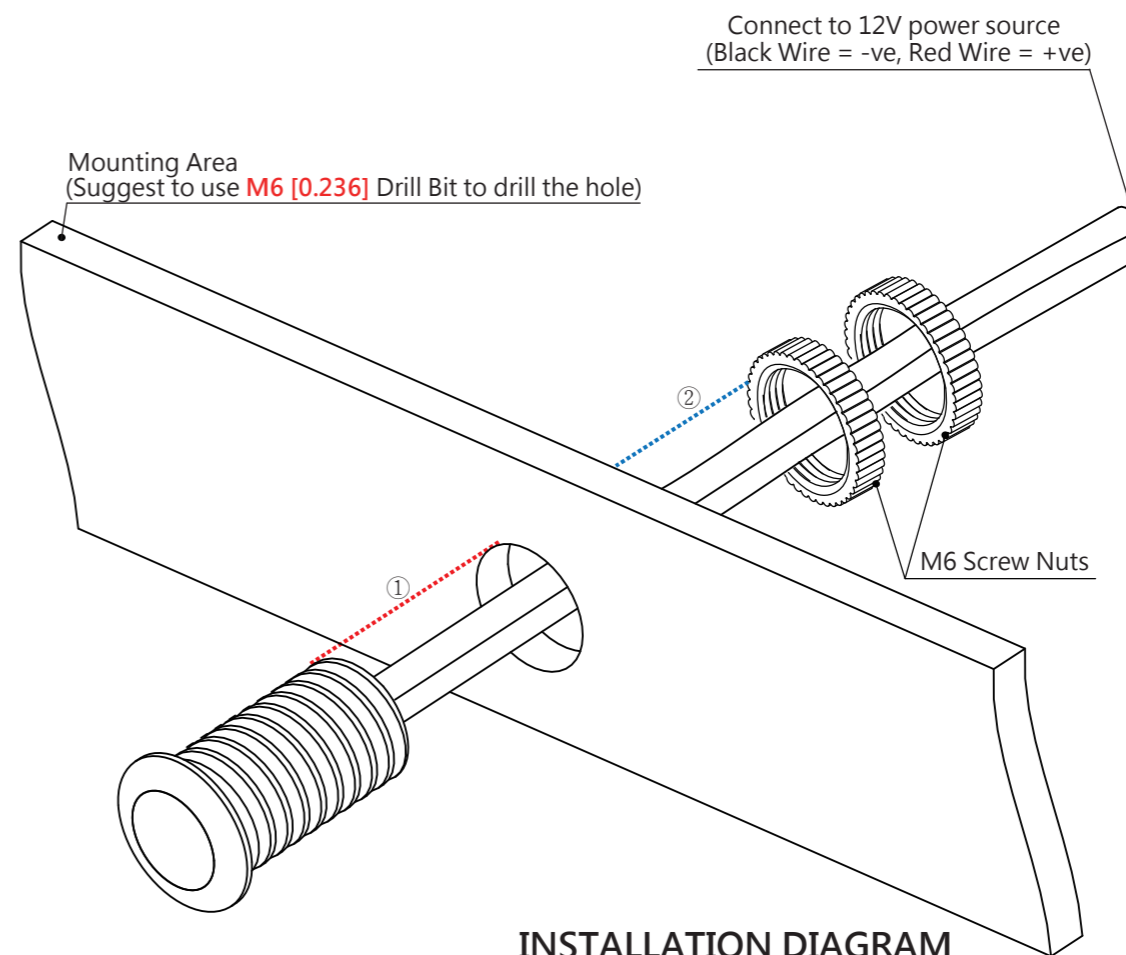
FRONT VIEW



SIDE VIEW



ISOMETRIC VIEW



INSTALLATION DIAGRAM

<b>Technical Information (Per module):</b>			
Operating Voltage: DC 12V			
Maximum Power Consumption: 18 mA (0.2W)		PRODUCT NAME: Flush Mount LED Bolt	
Heat Dissipation: Below 45 °C/ 113 °F		VERSION: 6mm/ No lens/ Aluminum Housing	
Net Weight: 7g		PRODUCT NUMBER: 442	REVISION: G
		PAGE: 1 of 1	

All dimensions in millimeters [Inches]