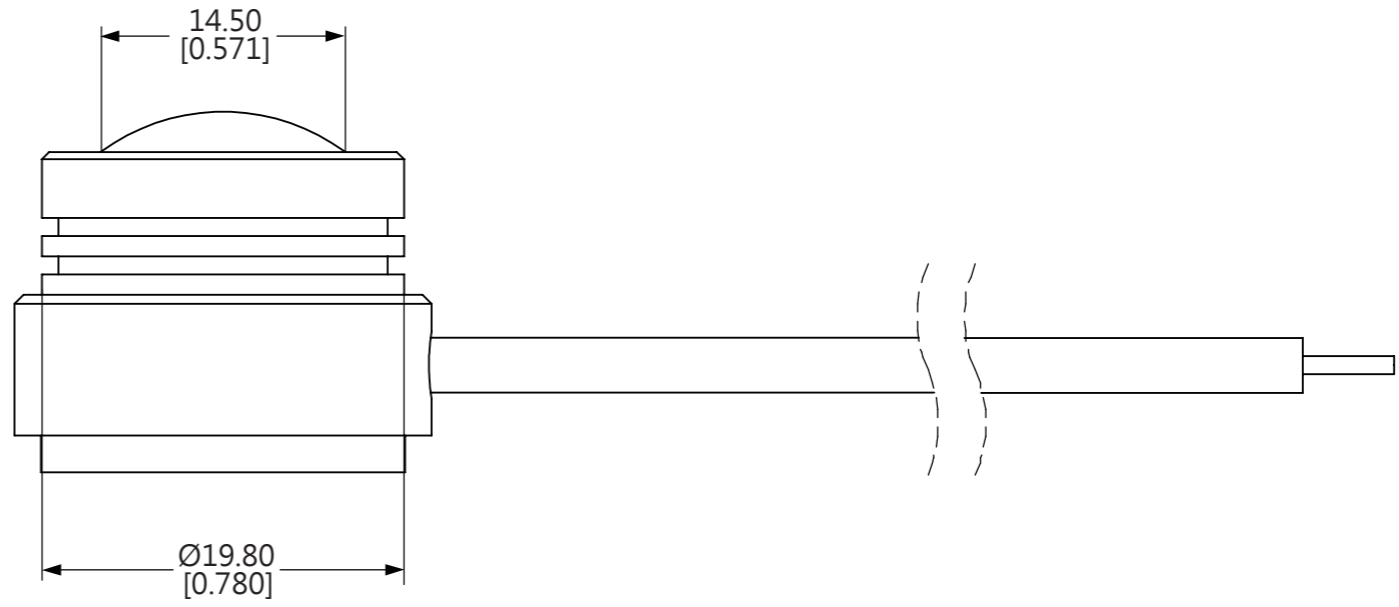
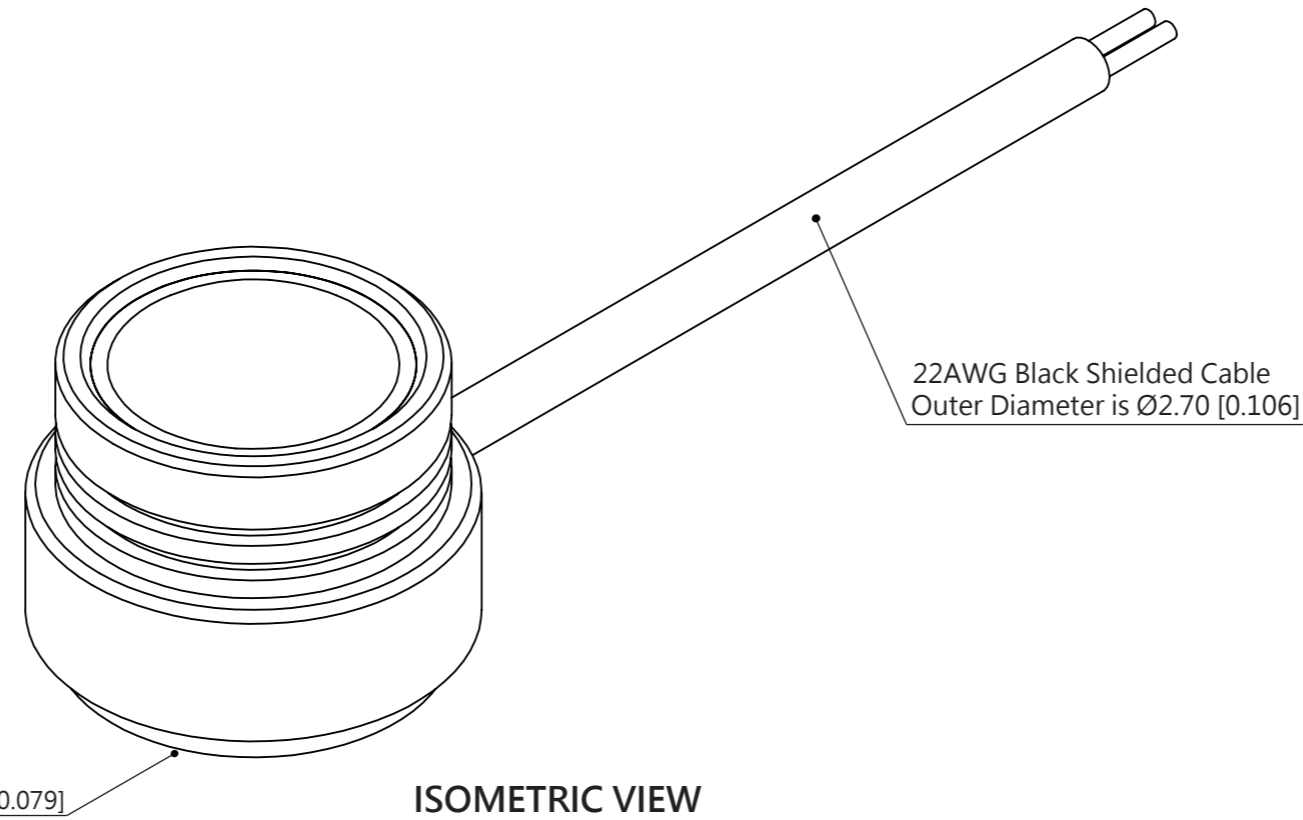


FRONT VIEW



SIDE VIEW



ISOMETRIC VIEW

| | | | |
|--|--|---------------------------------|----------------|
| Technical Information (Per module): | | | |
| Operating Voltage: DC 12V | | | |
| | | PRODUCT NAME: LED Eagle Eyes | |
| | | VERSION: | |
| | | PRODUCT NUMBER: | REVISION: B |
| | | PAGE: 1 of 1 | |

All dimensions in millimeters [Inches]