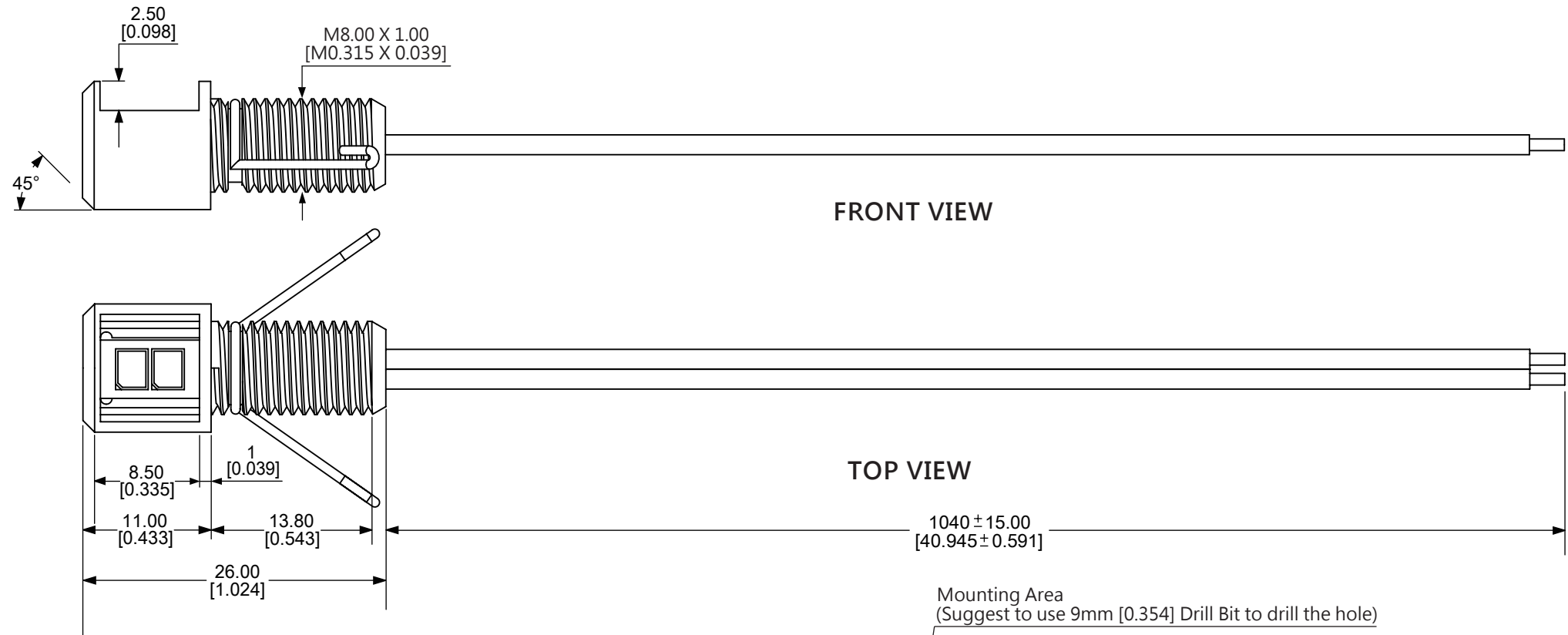
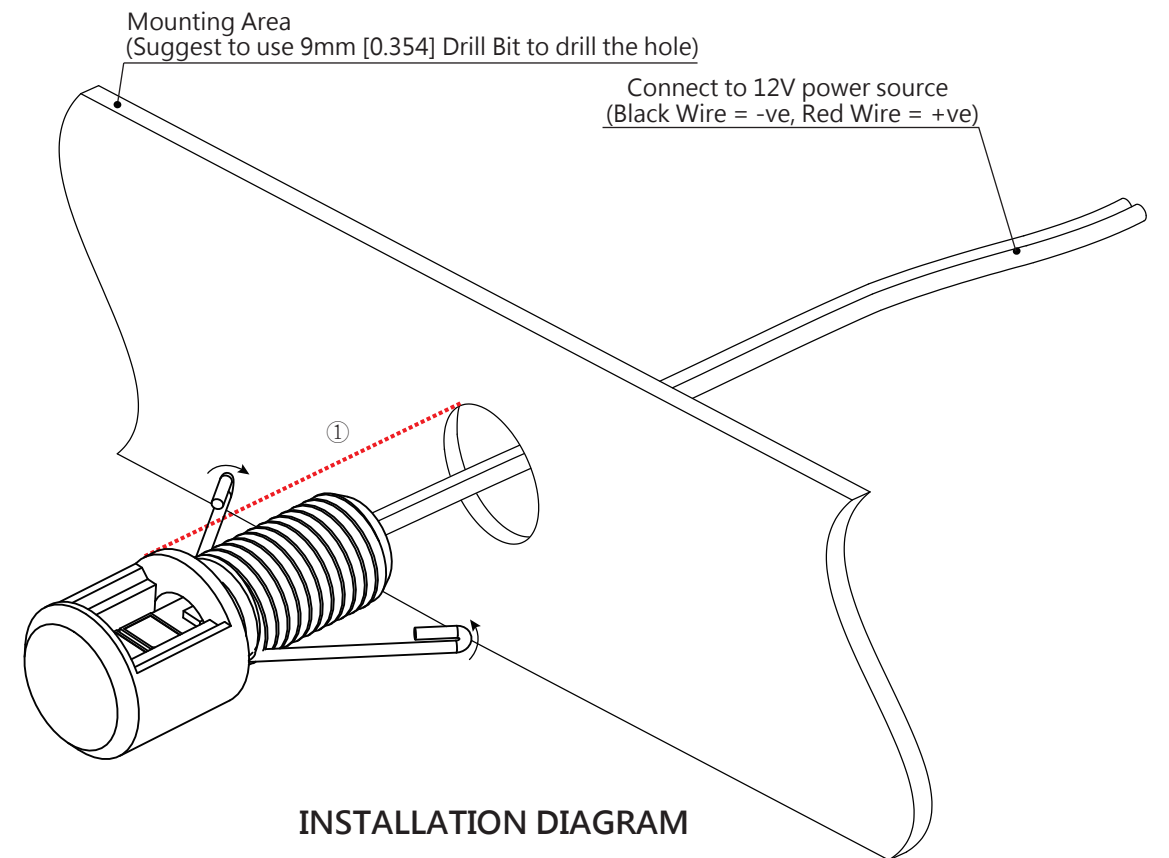


SIDE VIEW

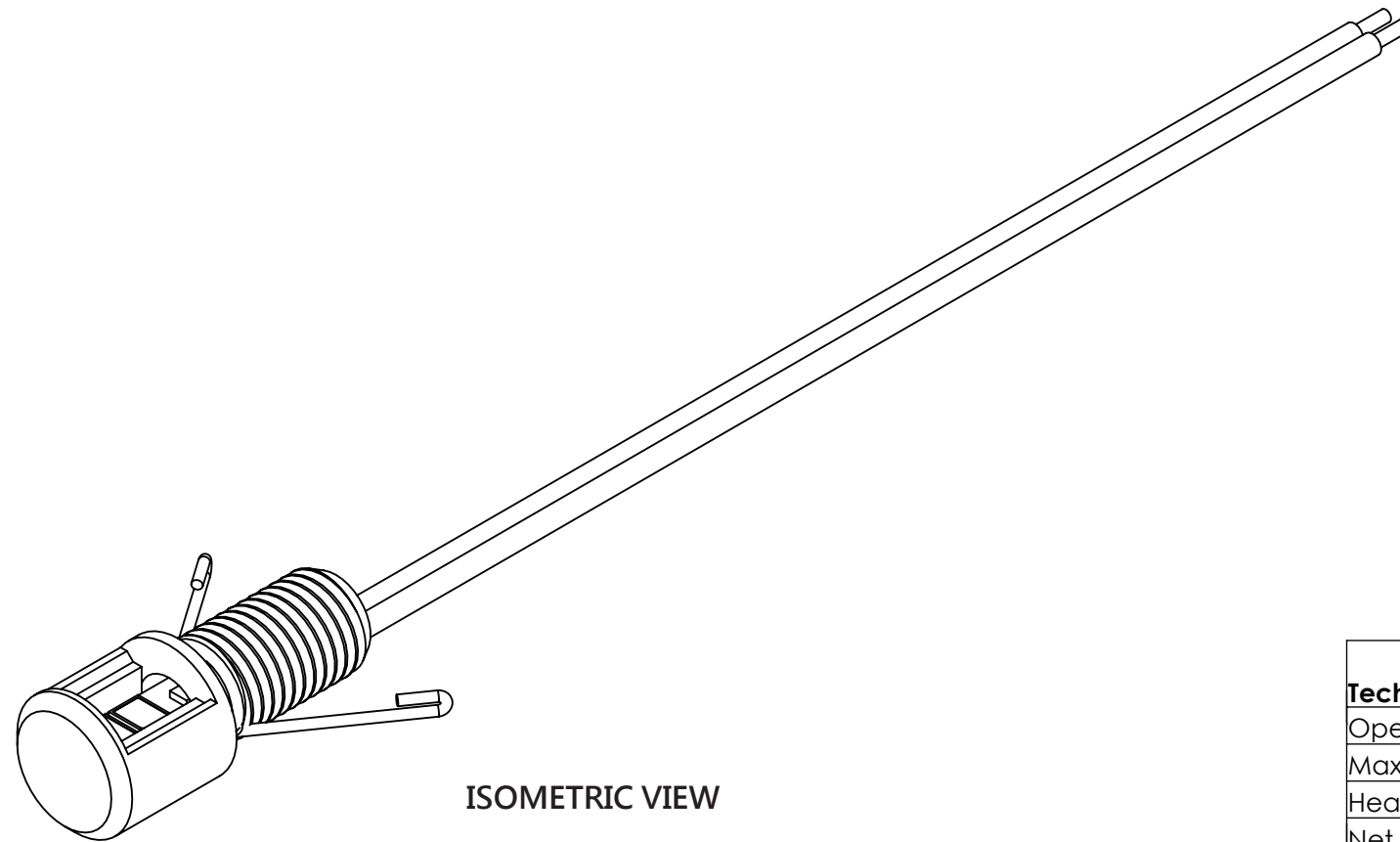


FRONT VIEW

TOP VIEW



INSTALLATION DIAGRAM



ISOMETRIC VIEW

All dimensions in millimeters [Inches]

Technical Information (Per module):

Operating Voltage: DC 12V
 Maximum Power Consumption: 50 mA (0.6W)
 Heat Dissipation: Below 45°C/ 113°F
 Net Weight: 11.9g



PRODUCT NAME:
Premium Side View LED Bolt
 VERSION:
8mm/ Top Epoxy/ Aluminum Housing/ Snap-Fit

SCALE:
2 : 1

DATE: 27-09-2018 REVISION: A PAGE: 1 of 2