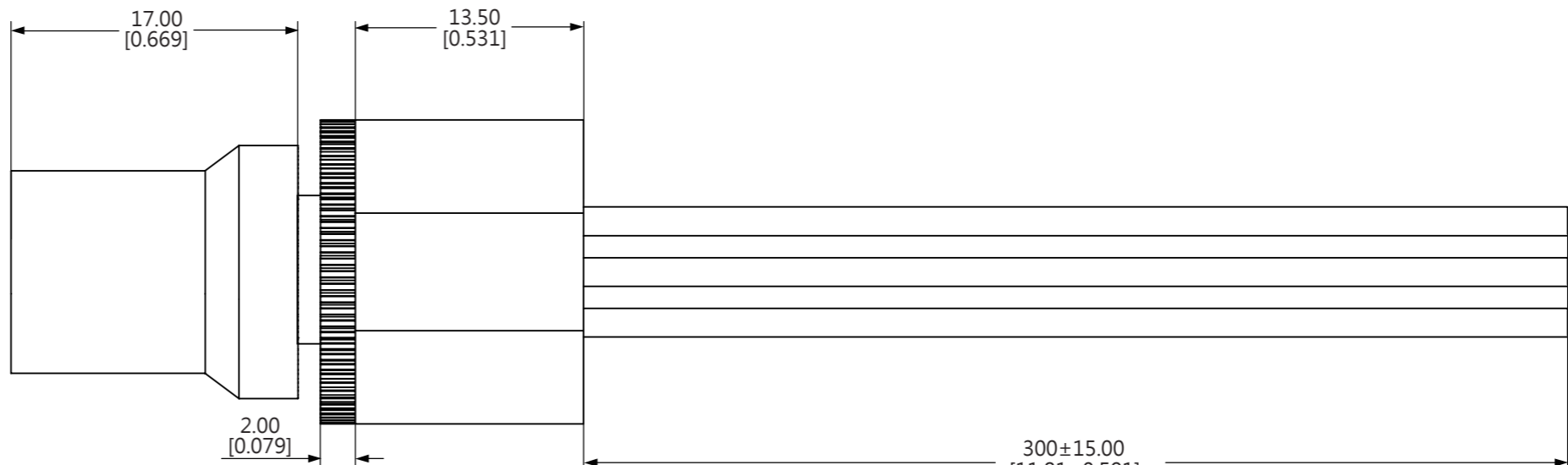
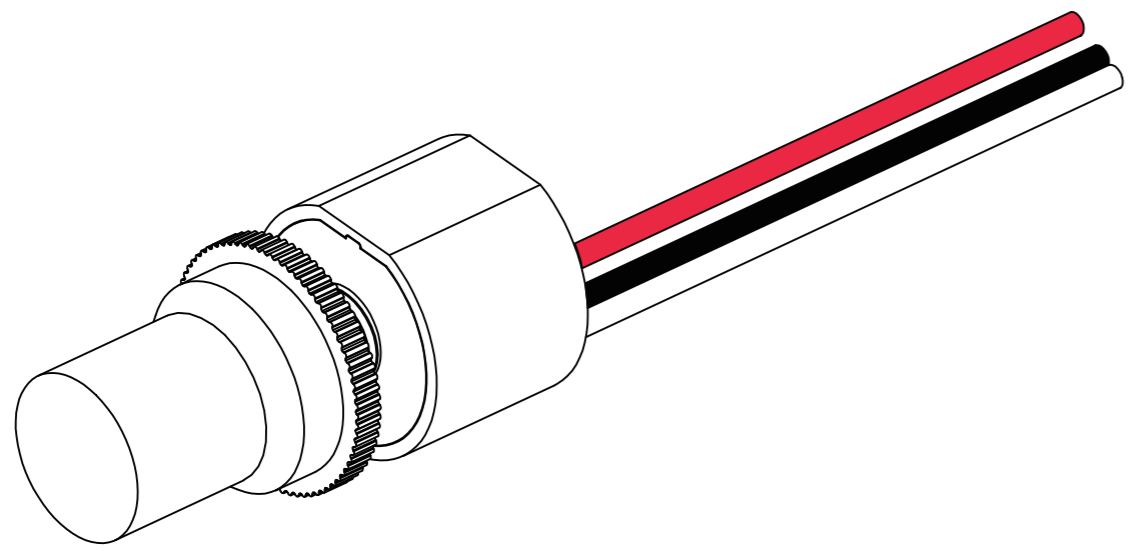


FRONT VIEW



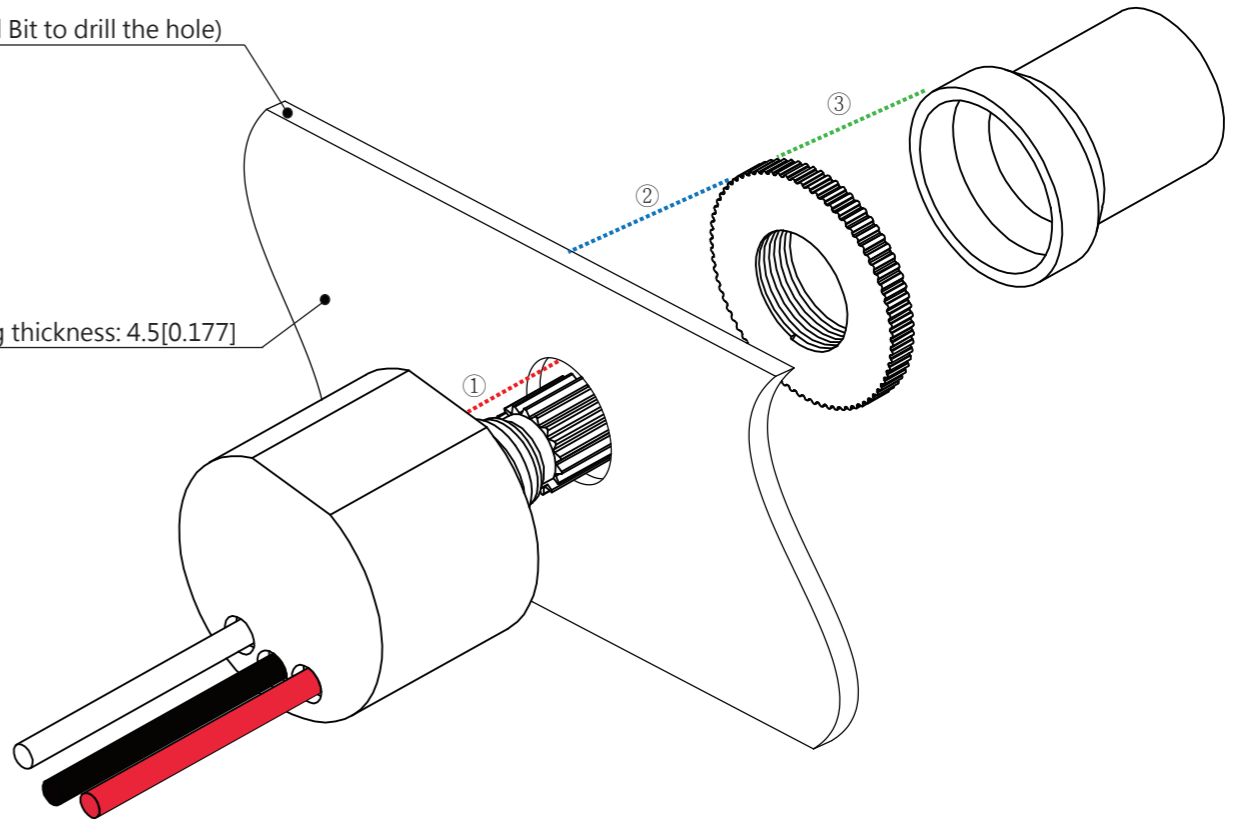
SIDE VIEW



ISOMETRIC VIEW

Mounting Area  
(Suggest to use 10.0[0.394] Drill Bit to drill the hole)

Max. panel mounting thickness: 4.5[0.177]



INSTALLATION DIAGRAM

<b>Technical Information (Per module):</b> Operating Voltage: DC 12V(4.8A)/ 24V(2.4A) Net Weight: 16.0g IP Rating: IP67			
		PRODUCT NAME: Waterproof LED Dimmer Knob	
		VERSION: Aluminum Housing	
PRODUCT NUMBER: 4211	REVISION: B	PAGE: 1 of 1	

All dimensions in millimeters [Inches]