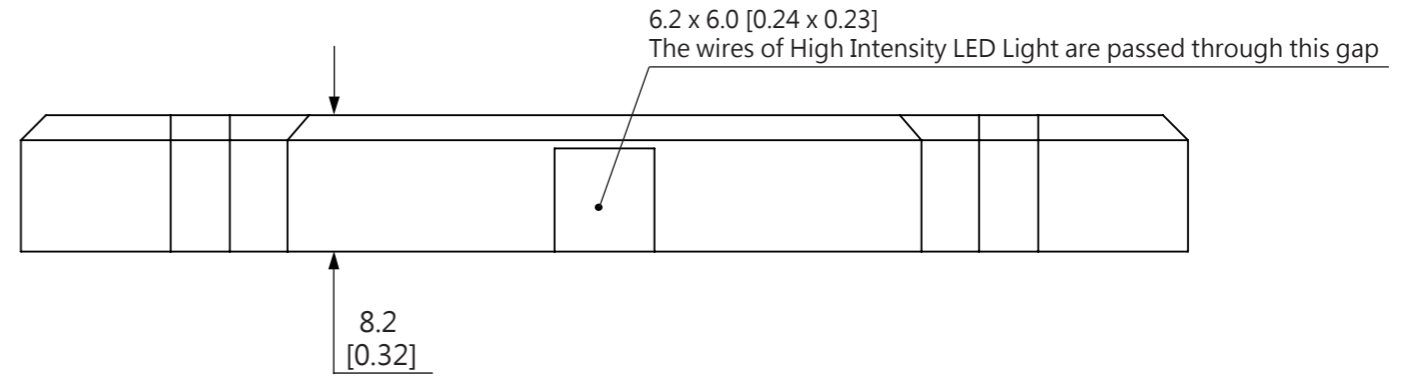
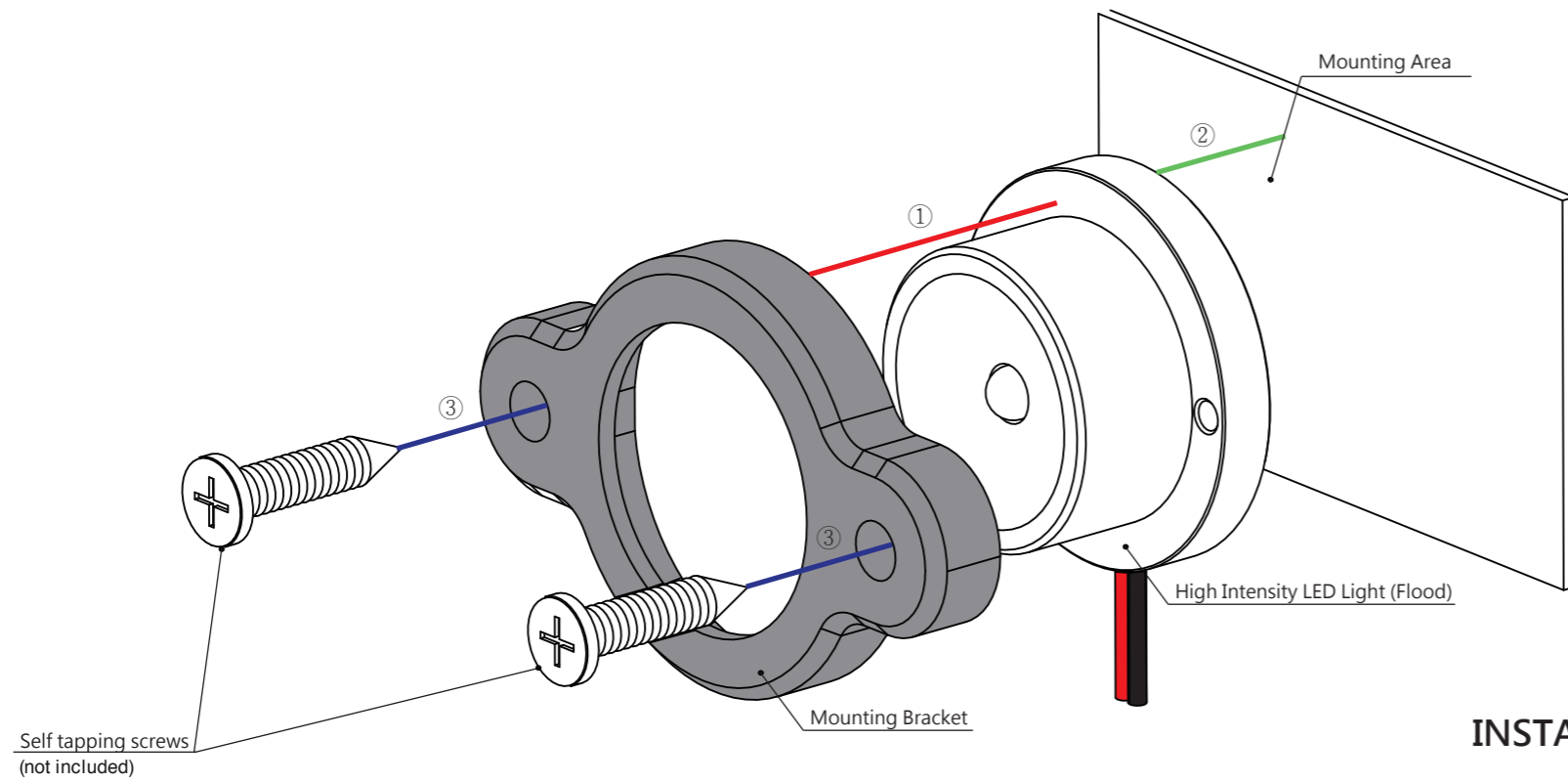


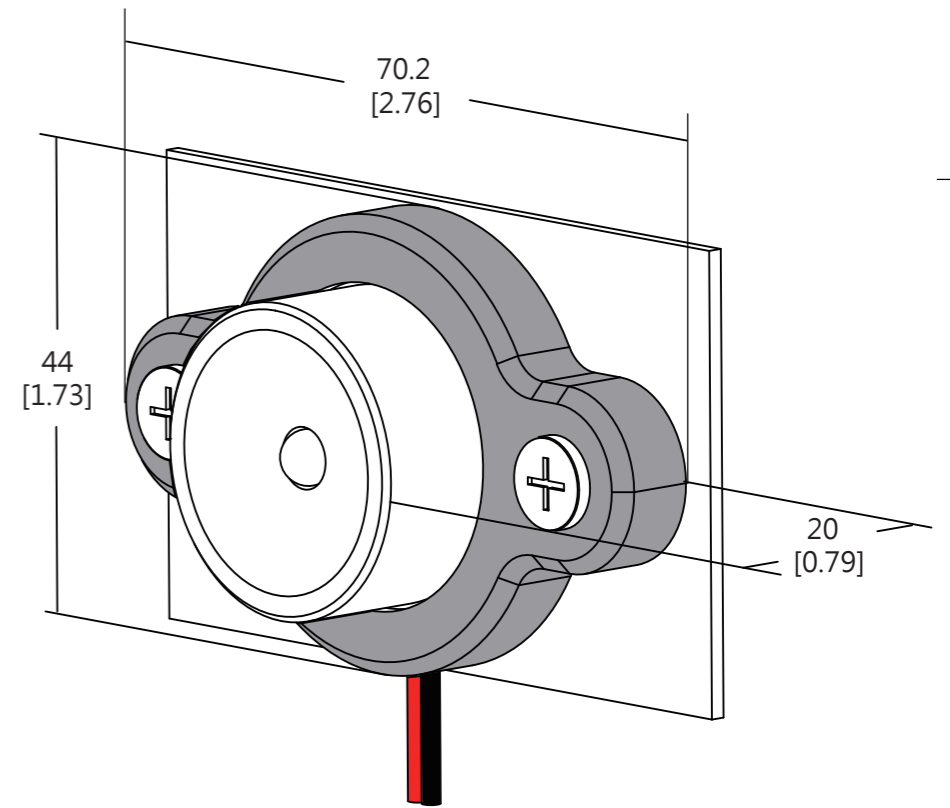
FRONT VIEW



BOTTOM VIEW



INSTALLATION DIAGRAM

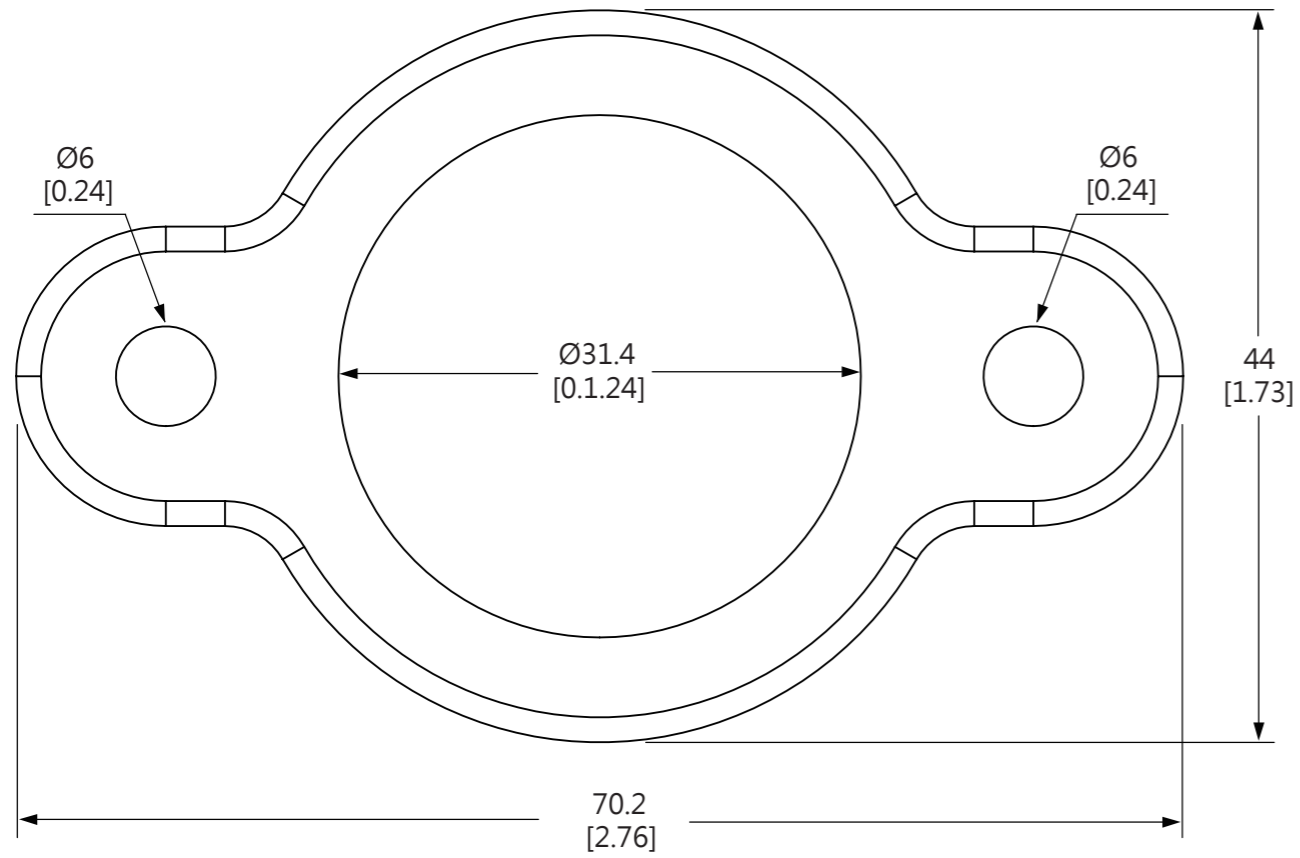


<b>Technical Information (Per module):</b>	
Net Weight: 15.5g	

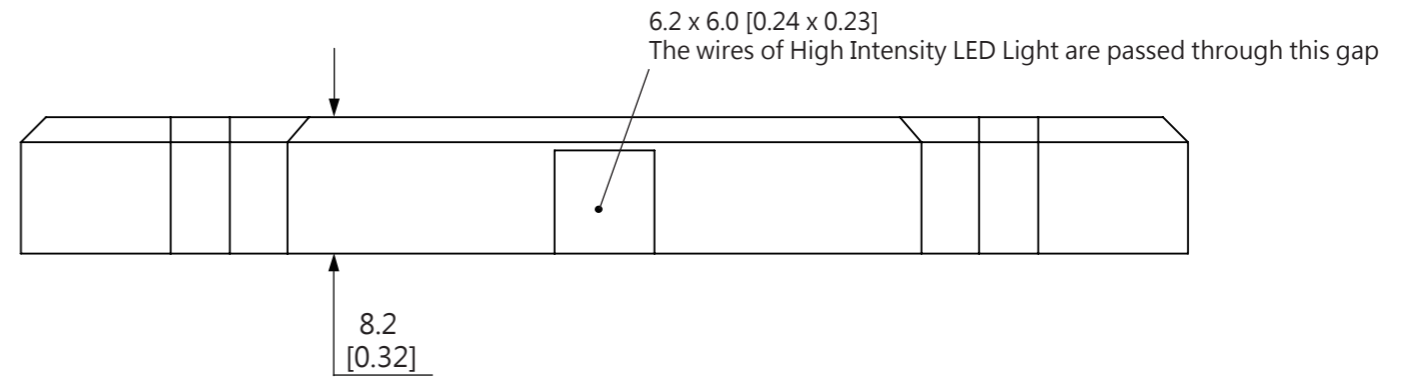


PRODUCT NAME: Mounting Bracket for High Intensity LED Light (Flood)		
DRAWING NUMBER: OZ100-21	VERSION: A	PAGE: 1 of 2

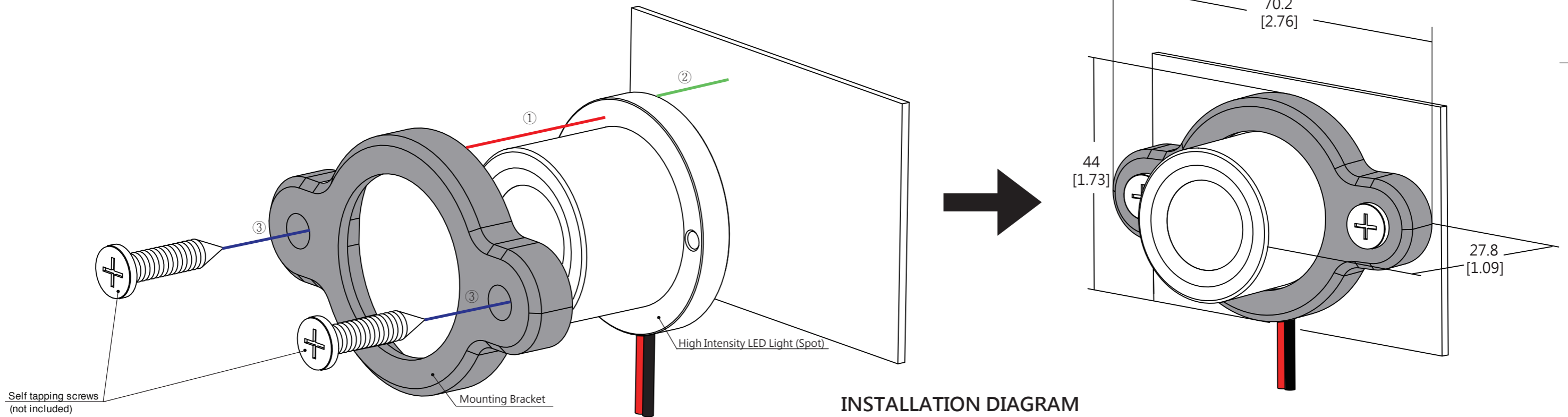
All dimensions in millimeters [Inches]



FRONT VIEW



BOTTOM VIEW



INSTALLATION DIAGRAM

**Technical Information (Per module):**

Net Weight: 15.5g



PRODUCT NAME:

Mounting Bracket for High Intensity LED Light (Spot)

DRAWING NUMBER:

OZ100-21

VERSION:

A

PAGE:

2 of 2

All dimensions in millimeters [Inches]